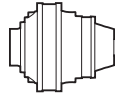


S3500



10000
HOURS LIFE

i _{eff}	n ₁ [rpm]									T _{2MAX} [Nm]	P _T [kW]
	1500			1000			500				
	n ₂ [rpm]	T ₂ [Nm]	P ₂ [kW]	n ₂ [rpm]	T ₂ [Nm]	P ₂ [kW]	n ₂ [rpm]	T ₂ [Nm]	P ₂ [kW]		
SL35001											
4.18							120	186583	2337	810000	
4.89	Consultare il Servizio Tecnico Brevini / Please consult Brevini						102	191960	2055	694000	
6.00							83	199552	1741	551000	
SL35002											
17.47							28.6	286564	859	810000	
20.44	Consultare il Servizio Tecnico Brevini / Please consult Brevini						24.5	297161	761	810000	
23.91	Consultare il Servizio Tecnico Brevini / Please consult Brevini						20.9	292706	641	694000	115
29.34							17.0	296403	529	694000	
36.00							13.9	234491	341	551000	
SL35003											
73.04				13.7	354321	508	6.8	369712	265	810000	
104.8				9.5	362265	362	4.8	388938	194	810000	
116.9	Consultare il Servizio Tecnico Brevini			8.6	309209	277	4.3	329262	147	694000	
122.6	Please consult Brevini			8.2	365768	312	4.1	398278	170	810000	82
143.5	Please consult Brevini			7.0	313114	229	3.5	339610	124	694000	
176.0				5.7	317068	189	2.8	350282	104	694000	
216.0				4.6	250840	122	2.3	275961	67	551000	
SL35004											
288.5	5.2	383892	209	3.5	408173	148	1.7	453292	82	810000	
322.8	4.6	390476	190	3.1	415173	135	1.5	461065	75	810000	
369.6	4.1	398545	169	2.7	423753	120	1.4	470593	67	810000	
414.1	3.6	405464	154	2.4	431110	109	1.2	478764	61	810000	
463.4	3.2	412418	140	2.2	438503	99	1.1	486975	55	810000	
512.6	2.9	418771	128	2.0	445257	91	0.98	494475	51	810000	
542.1	2.8	422322	122	1.8	449033	87	0.92	498667	48.2	810000	
640.8	2.3	433146	106	1.6	460542	75	0.78	511449	41.8	810000	60
735.8	2.0	442303	94	1.4	470278	67	0.68	522262	37.2	810000	
786.3	1.9	446758	89	1.3	475015	63	0.64	527522	35.1	810000	
919.8	1.6	457486	78	1.1	486422	55	0.54	540190	30.8	810000	
954.7	1.6	292619	48.1	1.0	311127	34.1	0.52	345519	18.9	551000	
1076	1.4	390096	57	0.93	414770	40.4	0.46	460616	22.4	694000	
1296	1.2	306464	37.1	0.77	325848	26.3	0.39	361866	14.6	551000	
1620	0.93	316984	30.7	0.62	337033	21.8	0.31	374289	12.1	551000	

10000
HOURS LIFE

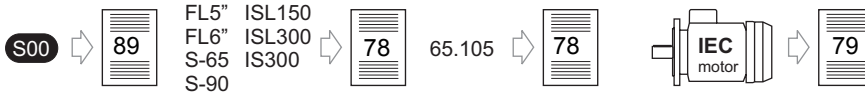
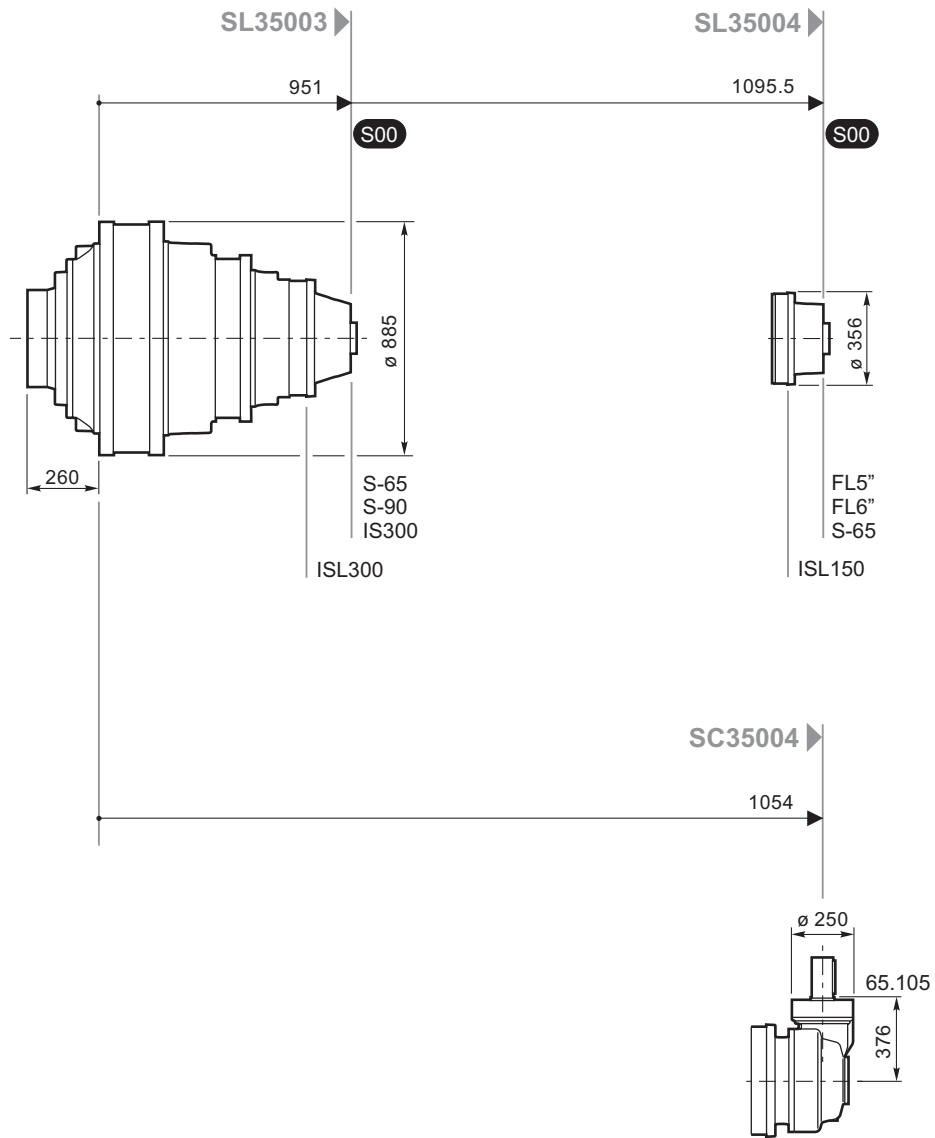
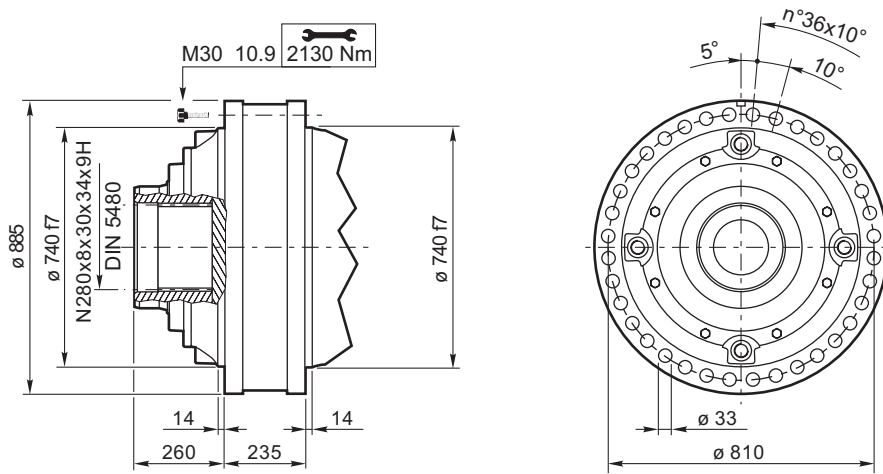


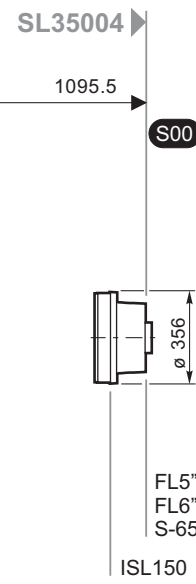
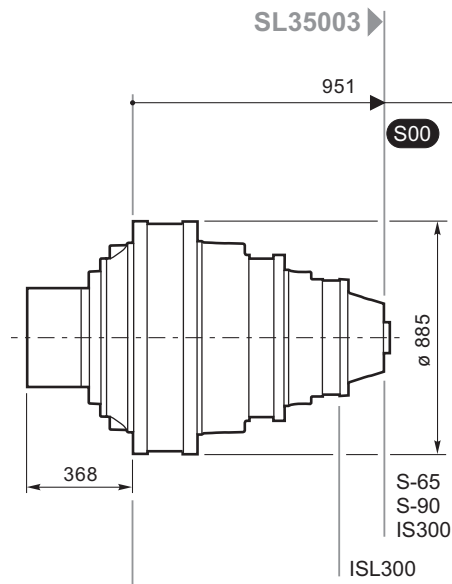
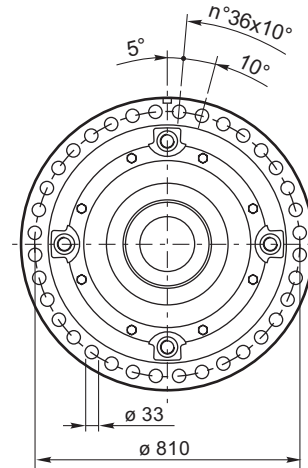
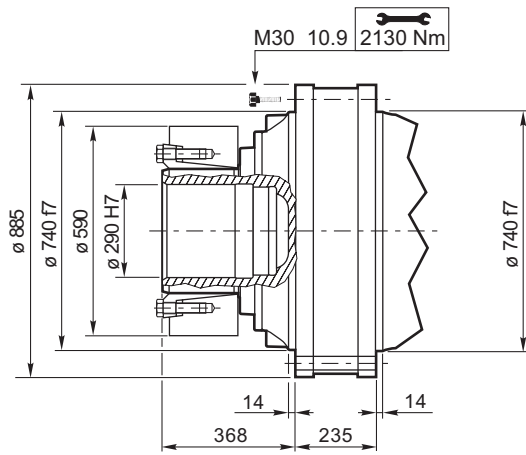
S3500

i_{eff}	n_1 [rpm]									T_{2MAX} [Nm]	P_T [kW]
	1500			1000			500				
	n_2 [rpm]	T_2 [Nm]	P_2 [kW]	n_2 [rpm]	T_2 [Nm]	P_2 [kW]	n_2 [rpm]	T_2 [Nm]	P_2 [kW]		

SC35004

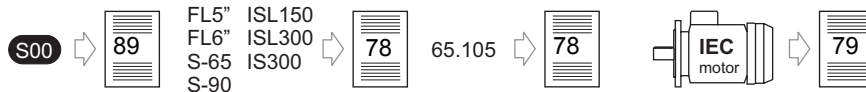
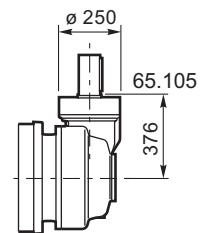
185.5	8.1	151300	128	5.4	170869	96	2.7	210366	59	810000	45
213.3	7.0	186370	137	4.7	210478	103	2.3	259129	64	810000	
249.5	6.0	218027	137	4.0	246228	103	2.0	303143	64	810000	
291.9	5.1	255062	137	3.4	288052	103	1.7	354634	64	810000	
306.1	4.9	267519	137	3.3	302121	103	1.6	367806	63	810000	
358.1	4.2	312959	137	2.8	351183	103	1.4	390002	57	694000	
418.9	3.6	338224	127	2.4	359616	90	1.2	399367	49.9	694000	
439.4	3.4	351543	126	2.3	360397	86	1.1	376053	44.8	810000	
514.0	2.9	348853	107	1.9	370918	76	0.97	411918	42.0	694000	
559.2	2.7	326025	92	1.8	368193	69	0.89	417204	39.1	694000	
654.2	2.3	361814	87	1.5	384698	62	0.76	427221	34.2	694000	
686.2	2.2	361289	83	1.5	370388	57	0.73	397550	30.3	810000	
802.7	1.9	373185	73	1.2	396788	52	0.62	440647	28.7	694000	
985.0	1.5	294003	46.9	1.0	312598	33.2	0.51	347152	18.5	551000	





SC35004

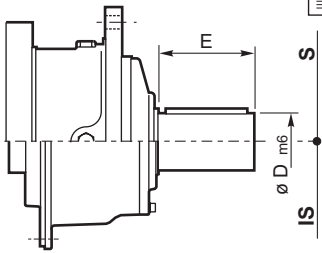
1054



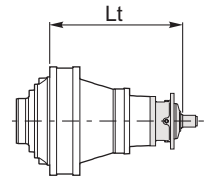
S3500

S-65, S-90, ISL150, ISL300, IS300

84

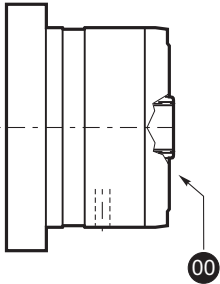


	S-65CR1	S-90CR1	ISL150	ISL300	IS300
D m6	80	90	90	90	100
E	130	170	130	130	210
Lt					
SL35003	1143.5	1149.5	1021	1021	1129
SL35004	1287.5		1165.5	1165.5	

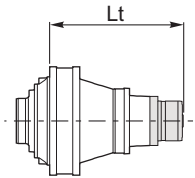


FL5", FL6"

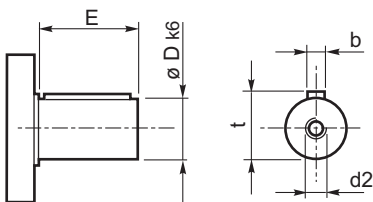
87



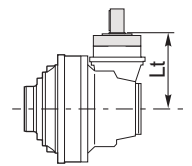
	FL250.4C FL250.6C	FL350.6C FL350.8C	FL450.6C FL450.8C	FL650.10C FL650.12C FL650.14C	FL750.10C FL750.12C FL750.14C	FL960.12C FL960.14C FL960.16C FL960.18C
Lt						
SL35004	1174.5	1174.5	1174.5	1188	1188	1202



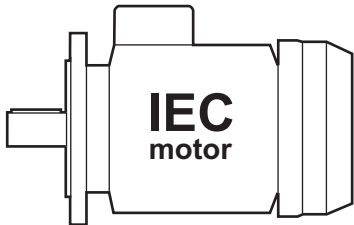
65.105



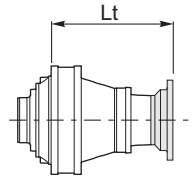
	65.105
D k6	65 m6
E	105
b	18
t	69
d2	M20x42
Lt	
SC35004	376



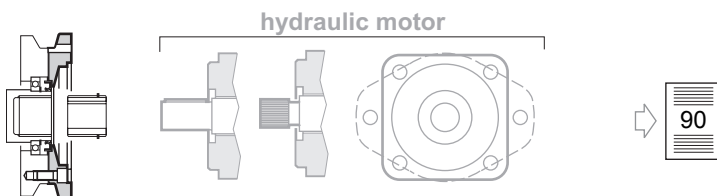
PAM IEC



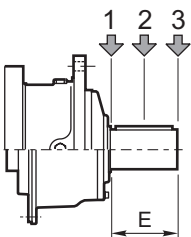
	IEC80-90	IEC100-112	IEC132	IEC160	IEC180	IEC200	IEC225
	Lt						
SL35004					1170.5	1170.5	1200.5



SAE J 744C, NEMA Adaptors



Carichi radiali sugli alberi entrata
Radial loads on input shafts



Type	E	Fr [N]					
		$n_1 \cdot h = 10^7$			$n_1 \cdot h = 10^8$		
		1	2	3	1	2	3
S-65CR1	130	23800	15500	9600	11900	7800	4800
S-90CR1	170	29700	17000	10000	14800	8500	5000
ISL150	130	7631	4302	2995	3824	2156	1501
ISL300	130	7631	4302	2995	3824	2156	1501
IS300	210	48814	33068	22914	24465	16573	11484