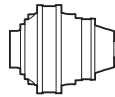


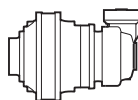
# S2500



**10000**  
HOURS LIFE

ieff	n1 [rpm]									T2MAX [Nm]	PT [kW]
	1500			1000			500				
	n2 [rpm]	T2 [Nm]	P2 [kW]	n2 [rpm]	T2 [Nm]	P2 [kW]	n2 [rpm]	T2 [Nm]	P2 [kW]		
<b>SL25001</b>											
4.18							120	142542	1786	570000	
4.89	Consultare il Servizio Tecnico Brevini / Please consult Brevini						102	146649	1570	487000	
6.00							83	147340	1286	386000	
<b>SL25002</b>											
17.47							28.6	179560	538	570000	
20.44	Consultare il Servizio Tecnico Brevini / Please consult Brevini						24.5	203328	521	487000	
23.91	Consultare il Servizio Tecnico Brevini / Please consult Brevini						20.9	205295	450	487000	100
29.34							17.0	207887	371	487000	
36.00							13.9	164459	239	386000	
<b>SL25003</b>											
70.59				14.2	221727	329	7.1	259215	192	570000	
82.58				12.1	212290	269	6.1	221512	140	487000	
89.46				11.2	238059	279	5.6	266789	156	570000	
104.8				9.5	249660	249	4.8	273266	136	570000	
112.9	Consultare il Servizio Tecnico Brevini						4.4	231065	107	570000	
128.6	Please consult Brevini						3.9	249701	102	570000	70
143.5				7.0	219608	160	3.5	238191	87	487000	
162.0				6.2	172847	112	3.1	185302	60	386000	
184.6				5.4	228231	129	2.7	238146	68	570000	
215.9				4.6	228166	111	2.3	253386	61	487000	
<b>SL25004</b>											
278.8	5.4	268334	151	3.6	285306	107	1.8	316843	59	570000	
326.2	4.6	274777	132	3.1	292157	94	1.5	314783	51	570000	
365.0	4.1	279490	120	2.7	297168	85	1.4	316961	45.5	570000	
417.8	3.6	285266	107	2.4	303309	76	1.2	321595	40.3	570000	
471.8	3.2	290550	97	2.1	308927	69	1.1	343075	38.1	570000	
495.5	3.0	292713	93	2.0	309515	65	1.0	329991	34.9	570000	
551.9	2.7	297527	85	1.8	311569	59	0.91	335417	31.8	570000	
629.0	2.4	303472	76	1.6	322666	54	0.79	358333	29.8	570000	
735.8	2.0	309326	66	1.4	317117	45.1	0.68	350335	24.9	570000	
786.3	1.9	313890	63	1.3	333744	44.5	0.64	370634	24.7	570000	50
919.8	1.6	313589	54	1.1	326294	37.1	0.54	362362	20.6	570000	
990.2	1.5	270183	42.9	1.0	287271	30.4	0.50	319025	16.9	487000	
1128	1.3	309005	43.0	0.89	316787	29.4	0.44	330548	15.3	570000	
1296	1.2	281396	34.1	0.77	299193	24.2	0.39	332265	13.4	487000	
1384	1.1	251916	28.6	0.72	265868	20.1	0.36	295256	11.2	570000	
1620	0.93	291055	28.2	0.62	309465	20.0	0.31	343672	11.1	487000	
1987	0.75	229293	18.1	0.50	243795	12.8	0.25	270744	7.1	386000	

**10000**  
HOURS LIFE

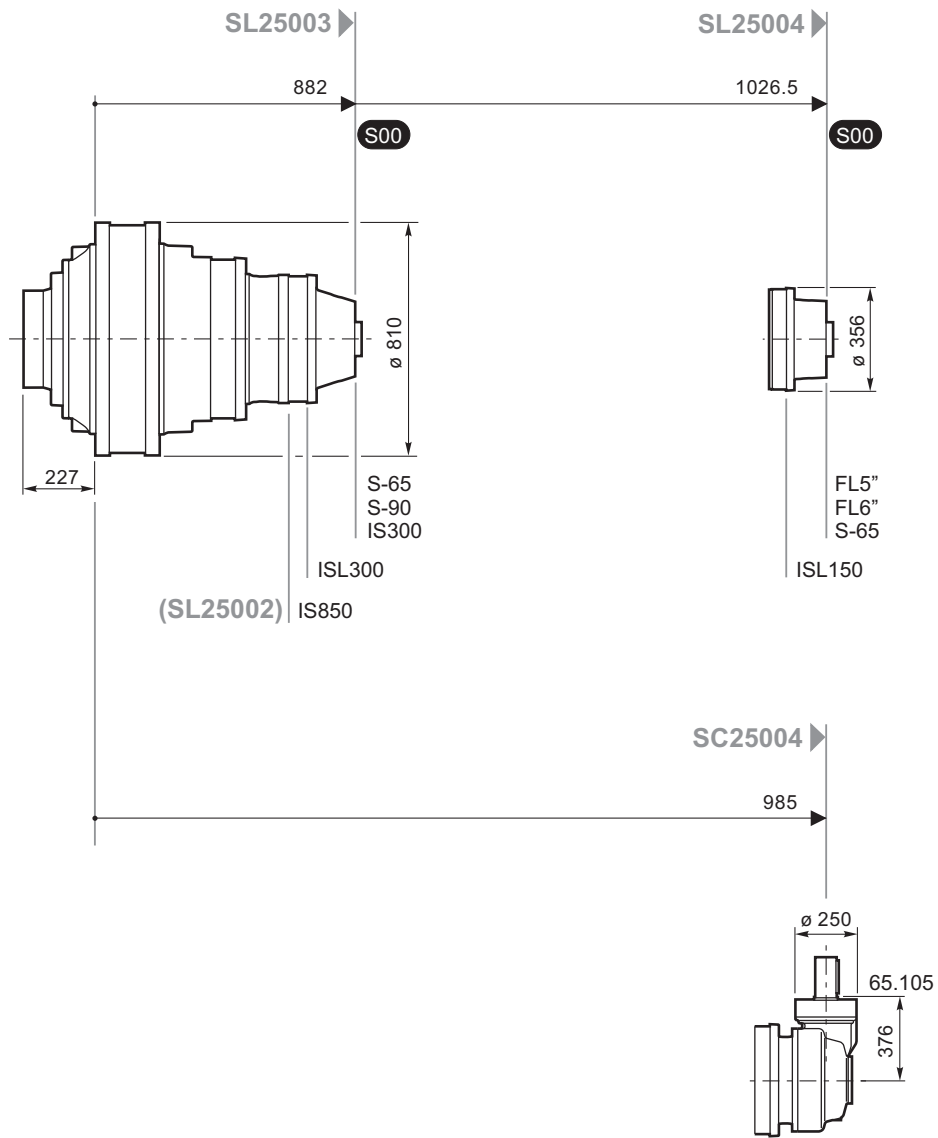
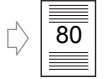
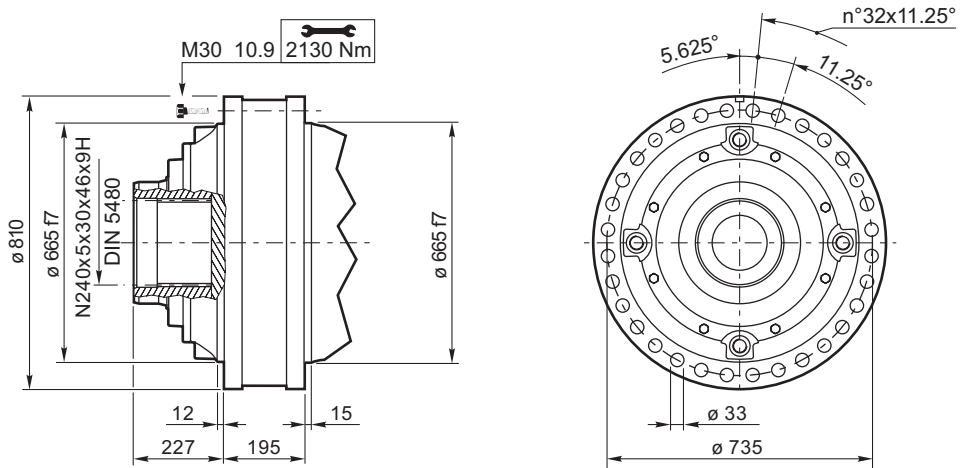


**S2500**

ieff	n1 [rpm]									T2MAX [Nm]	PT [kW]
	1500			1000			500				
	n2 [rpm]	T2 [Nm]	P2 [kW]	n2 [rpm]	T2 [Nm]	P2 [kW]	n2 [rpm]	T2 [Nm]	P2 [kW]		

**SC25004**

179.3	8.4	146232	128	5.6	165147	96	2.8	203320	59	570000	40
206.1	7.3	180129	137	4.9	203428	103	2.4	250449	64	570000	
229.6	6.5	200639	137	4.4	226590	103	2.2	278966	64	570000	
261.2	5.7	228282	137	3.8	257810	103	1.9	313733	63	570000	
268.6	5.6	234718	137	3.7	265079	103	1.9	311053	61	570000	
306.1	4.9	267518	137	3.3	289365	99	1.6	321350	55	570000	
358.1	4.2	278687	122	2.8	296313	87	1.4	316591	46.3	570000	
382.1	3.9	281434	116	2.6	296429	81	1.3	309306	42.4	570000	
439.3	3.4	287433	103	2.3	298975	71	1.1	311962	37.2	570000	
478.0	3.1	278687	92	2.1	309546	68	1.0	343763	37.7	570000	
559.2	2.7	298124	84	1.8	311822	58	0.89	336090	31.5	570000	
654.2	2.3	253764	61	1.5	269815	43.2	0.76	299639	24.0	487000	
686.0	2.2	299715	69	1.5	307263	46.9	0.73	320611	24.5	570000	
802.7	1.9	261739	51	1.2	278294	36.3	0.62	309056	20.2	487000	
984.7	1.5	269954	43.1	1.0	287028	30.5	0.51	318755	16.9	487000	
1208	1.2	212669	27.6	0.83	226120	19.6	0.41	251114	10.9	386000	



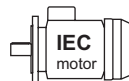
S00

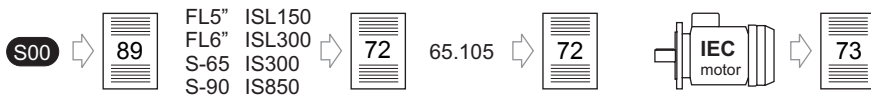
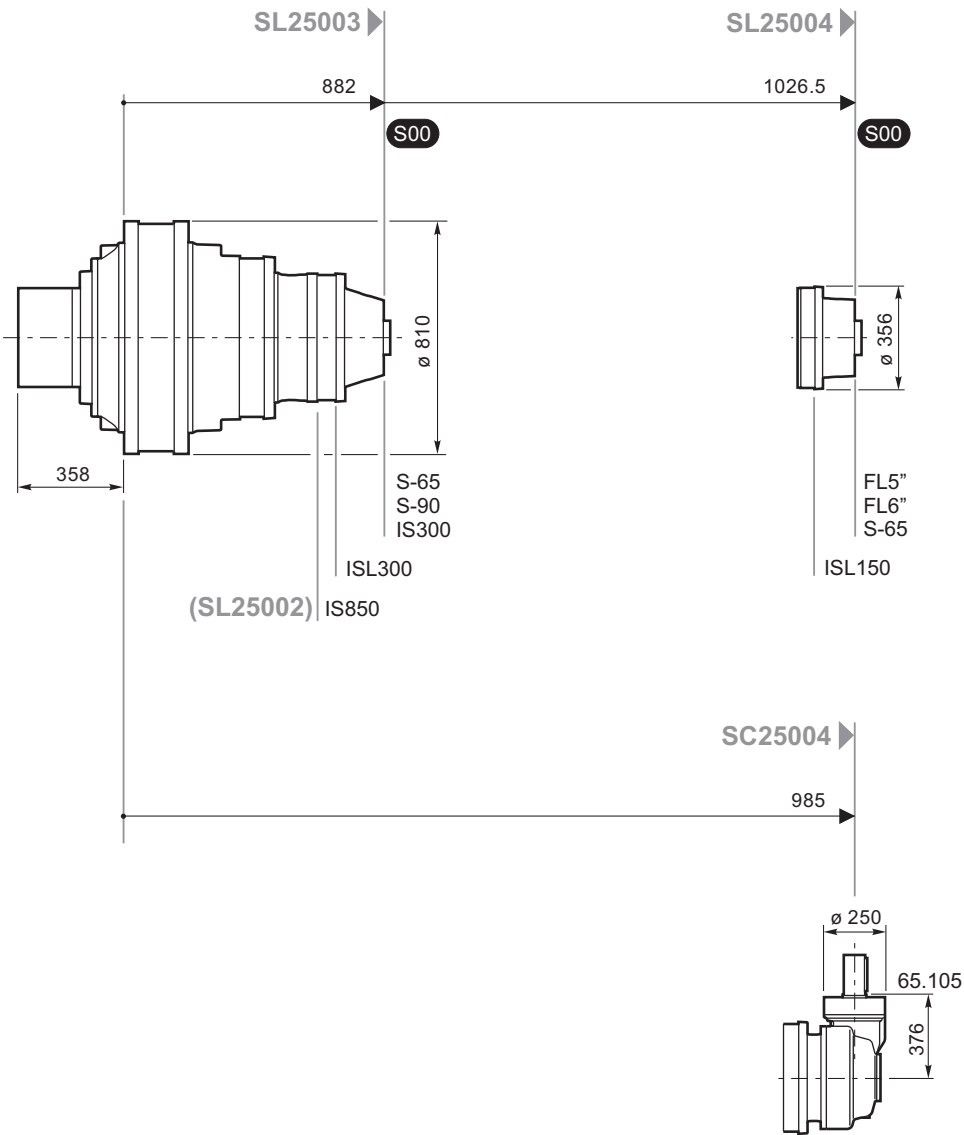
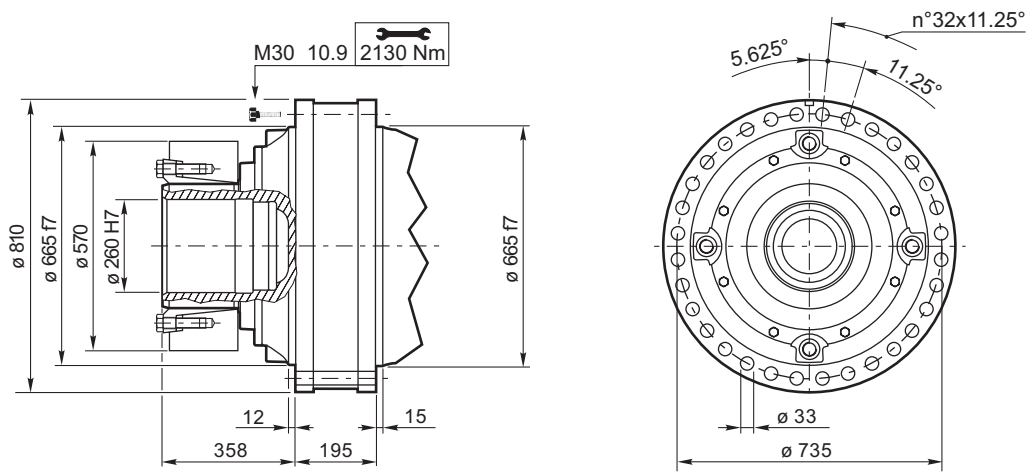


FL5" ISL150  
FL6" ISL300  
S-65 IS300  
S-90 IS850



65.105

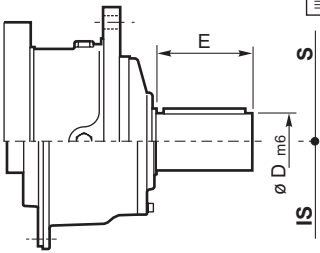




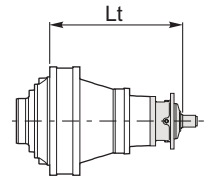
# S2500

## S-65, S-90, ISL150, ISL300, IS300, IS850

84

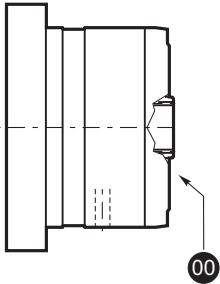


	S-65CR1	S-90CR1	ISL150	ISL300	IS300	IS850
D m6	80	90	90	90	100	110
E	130	170	130	130	210	210
<b>Lt</b>						
SL25002						919
SL25003	1074.5	1080.5	952	952	1060	
SL25004	1218.5		1096.5	1096.5		

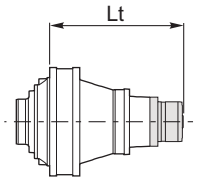


## FL5", FL6"

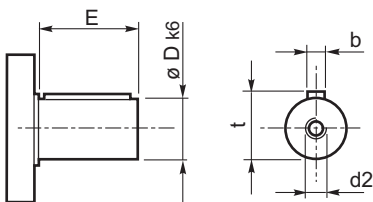
87



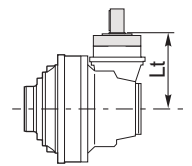
	FL250.4C FL250.6C	FL350.6C FL350.8C	FL450.6C FL450.8C	FL650.10C FL650.12C FL650.14C	FL750.10C FL750.12C FL750.14C	FL960.12C FL960.14C FL960.16C FL960.18C
<b>Lt</b>						
SL25004	1105.5	1105.5	1105.5	1119	1119	1133



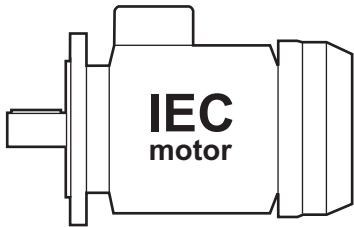
## 65.105



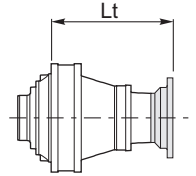
	65.105
D k6	65 m6
E	105
b	18
t	69
d2	M20x42
<b>Lt</b>	
SC25004	376



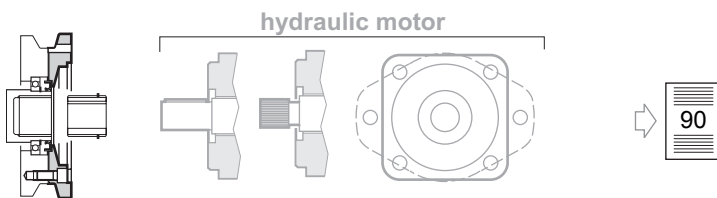
## PAM IEC



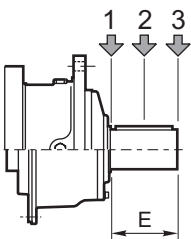
	IEC80-90	IEC100-112	IEC132	IEC160	IEC180	IEC200	IEC225
	Lt						
SL25004				1101.5	1101.5	1101.5	1131.5



## SAE J 744C, NEMA Adaptors



Carichi radiali sugli alberi entrata  
Radial loads on input shafts



Type	E	Fr [N]					
		$n_1 \cdot h = 10^7$			$n_1 \cdot h = 10^8$		
		1	2	3	1	2	3
S-65CR1	130	23800	15500	9600	11900	7800	4800
S-90CR1	170	29700	17000	10000	14800	8500	5000
ISL150	130	7631	4302	2995	3824	2156	1501
ISL300	130	7631	4302	2995	3824	2156	1501
IS300	210	48814	33068	22914	24465	16573	11484
IS850	210	56261	39088	29352	28197	19590	14711