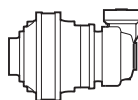


i _{eff}	n ₁ [rpm]									T _{2MAX} [Nm]	P _T [kW]
	1500			1000			500				
	n ₂ [rpm]	T ₂ [Nm]	P ₂ [kW]	n ₂ [rpm]	T ₂ [Nm]	P ₂ [kW]	n ₂ [rpm]	T ₂ [Nm]	P ₂ [kW]		
SL12001											
4.18							120	69101	866	293000	
4.89	Consultare il Servizio Tecnico Brevini / <i>Please consult Brevini</i>						102	71091	761	250000	
6.00							83	73904	645	198000	
SL12002											
17.47				57	86204	517	28.6	106129	318	293000	
20.44	Consultare il Servizio Tecnico Brevini						24.5	111244	285	293000	
25.08	Please consult Brevini						19.9	114009	238	293000	
29.34							17.0	106273	190	250000	
36.00							13.9	84241	123	198000	
SL12003											
69.02	21.7	94108	214	14.5	106281	161	7.2	130847	99	293000	
80.74	18.6	110093	214	12.4	124333	161	6.2	134413	87	293000	
90.35	16.6	113692	198	11.1	128398	149	5.5	136718	79	293000	
99.07	15.1	115949	184	10.1	118870	126	5.0	124033	66	293000	
110.9	13.5	116752	165	9.0	119692	113	4.5	124892	59	293000	
122.6	12.2	120165	154	8.2	131499	112	4.1	143187	61	293000	
143.5	10.5	109506	120	7.0	112264	82	3.5	121764	44.4	250000	
153.3	9.8	114796	118	6.5	117688	80	3.3	122800	41.9	293000	
188.1	8.0	120601	101	5.3	123639	69	2.7	129009	35.9	293000	
220.1	6.8	112418	80	4.5	116972	56	2.3	129902	30.9	250000	
SL12004											
241.6	6.2	134358	87	4.1	142856	62	2.1	158647	34.4	293000	
282.6	5.3	137584	76	3.5	146286	54	1.8	162456	30.1	293000	
316.2	4.7	139944	70	3.2	148795	49.3	1.6	165242	27.4	293000	
366.9	4.1	143128	61	2.7	152181	43.4	1.4	169002	24.1	293000	
414.1	3.6	145770	55	2.4	154990	39.2	1.2	172123	21.8	293000	
463.4	3.2	148270	50	2.2	157648	35.6	1.1	175075	19.8	293000	
524.2	2.9	151062	45.3	1.9	160616	32.1	1.0	174027	17.4	293000	
542.1	2.8	151831	44.0	1.8	161434	31.2	0.92	179278	17.3	293000	
629.0	2.4	155285	38.8	1.6	165107	27.5	0.79	175984	14.6	293000	
735.8	2.0	159014	33.9	1.4	169072	24.1	0.68	187761	13.4	293000	
778.1	1.9	133173	26.9	1.3	141596	19.1	0.64	157247	10.6	250000	
896.7	1.7	136061	23.8	1.1	144667	16.9	0.56	158567	9.3	250000	
952.8	1.6	137316	22.6	1.0	146001	16.0	0.52	162140	8.9	250000	
1100	1.4	140337	20.0	0.91	149213	14.2	0.45	165707	7.9	250000	
1296	1.2	110097	13.3	0.77	117061	9.5	0.39	130000	5.3	198000	
1350	1.1	110779	12.9	0.74	117786	9.1	0.37	130806	5.1	198000	
1620	0.93	113877	11.0	0.62	121079	7.8	0.31	134463	4.3	198000	

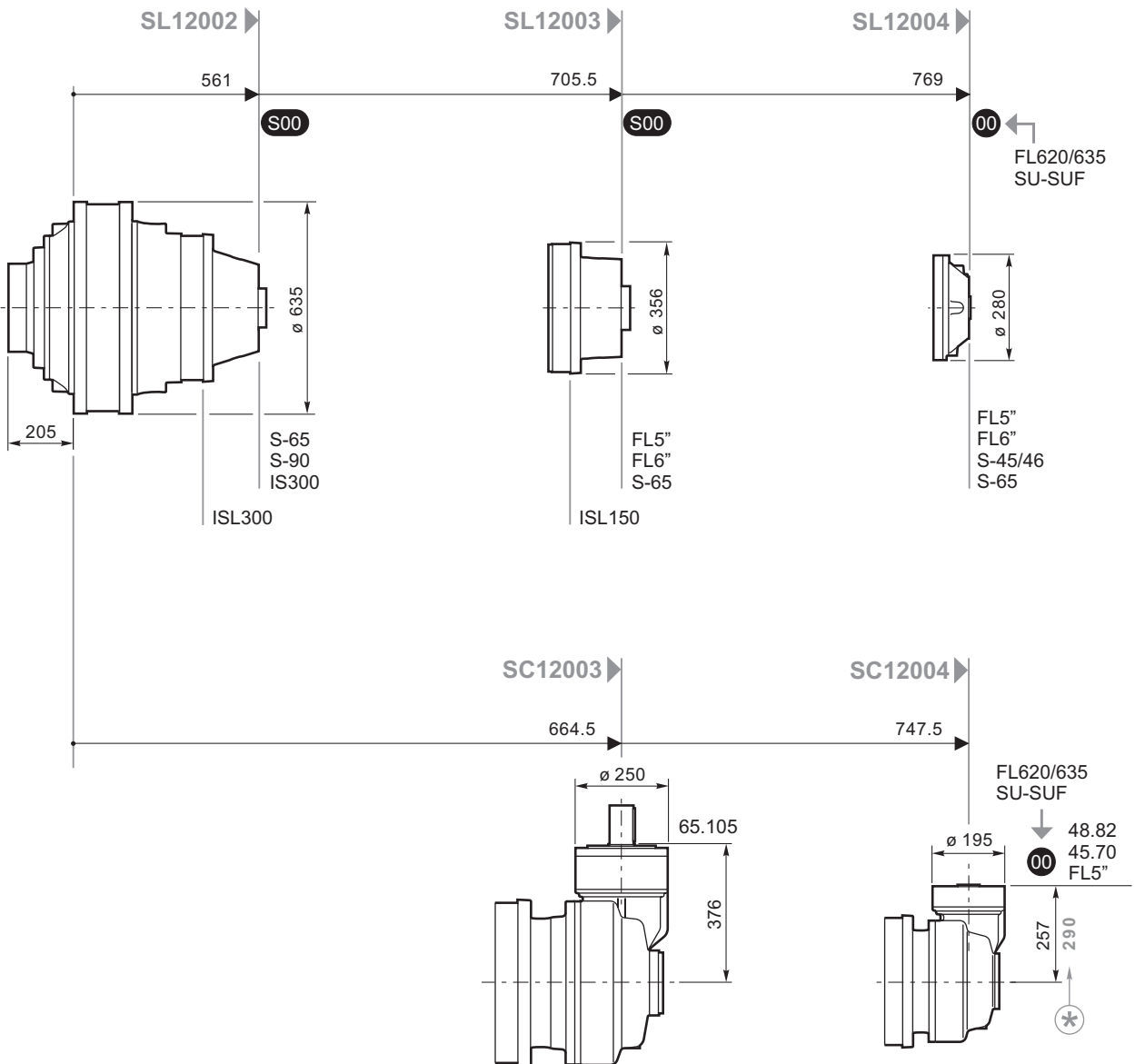
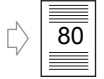
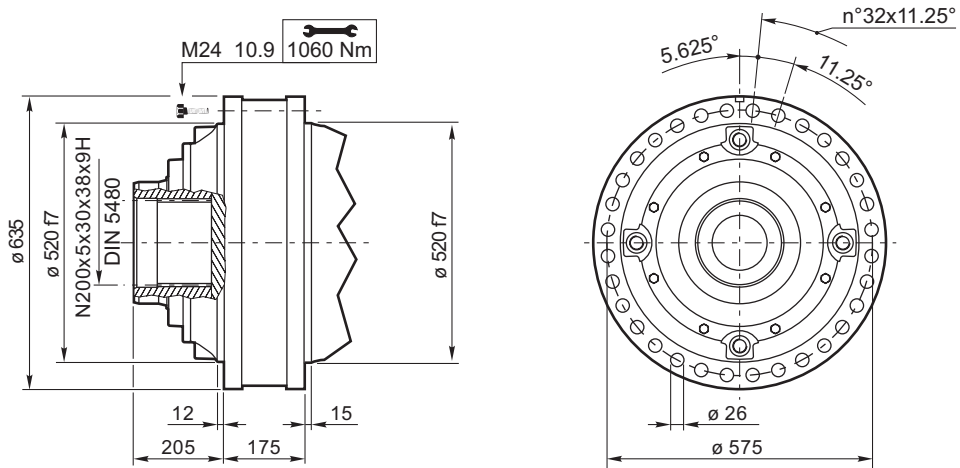
10000
HOURS LIFE



S1200

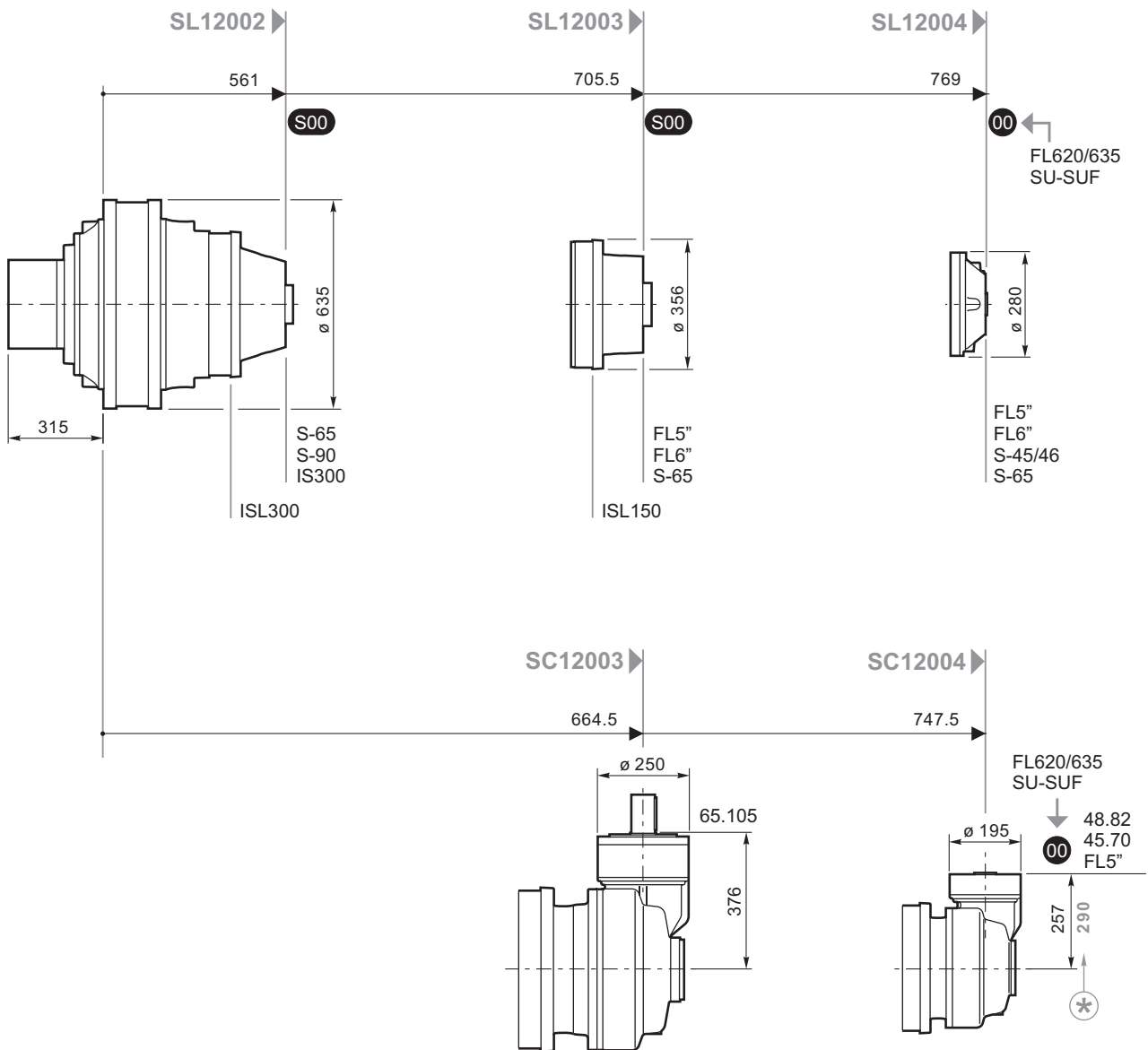
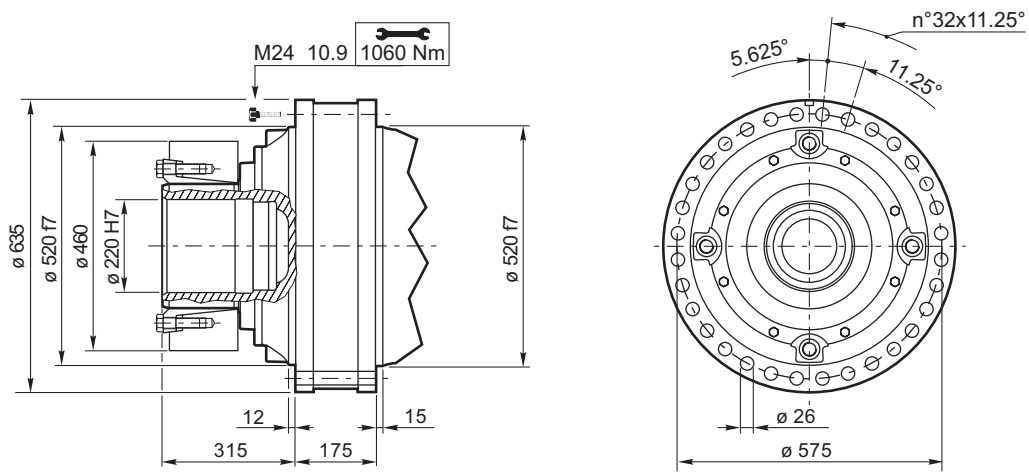
i_{eff}	n_1 [rpm]									T_{2MAX} [Nm]	P_T [kW]
	1500			1000			500				
	n_2 [rpm]	T_2 [Nm]	P_2 [kW]	n_2 [rpm]	T_2 [Nm]	P_2 [kW]	n_2 [rpm]	T_2 [Nm]	P_2 [kW]		
SC12003											
44.38	33.8	36196	128	22.5	40878	96	11.3	50327	59	293000	35
51.02	29.4	44586	137	19.6	50353	103	9.8	61992	64	293000	
63.70	23.5	51956	128	15.7	58676	96	7.8	72239	59	293000	
73.23	20.5	64000	137	13.7	72278	103	6.8	87992	63	198000	
79.67	18.8	46448	92	12.6	52456	69	6.3	64580	42.4	293000	
85.67	17.5	74871	137	11.7	84555	103	5.8	104099	64	250000	
114.4	13.1	66672	92	8.7	75296	69	4.4	90431	41.4	198000	
133.8	11.2	77996	92	7.5	87505	68	3.7	92210	36.1	198000	
SC12004											
222.0*	6.8	86521	61	4.5	97712	46.1	2.3	120298	28.4	250000	28
259.7*	5.8	101217	61	3.8	114309	46.1	1.9	133202	26.9	250000	
290.7*	5.2	113260	61	3.4	122001	44.0	1.7	135486	24.4	250000	
304.8*	4.9	118792	61	3.3	127356	43.7	1.6	132888	22.8	293000	
337.3*	4.4	131424	61	3.0	148424	46.1	1.5	166861	25.9	293000	
413.8*	3.6	126578	48.0	2.4	129766	32.8	1.2	135403	17.1	293000	
458.7	3.3	103033	35.3	2.2	108637	24.8	1.1	113356	12.9	293000	
517.3	2.9	128323	39.0	1.9	131555	26.6	0.97	137659	13.9	293000	
536.6	2.8	120534	35.3	1.9	127089	24.8	0.93	132610	12.9	293000	
658.4	2.3	130235	31.1	1.5	133515	21.2	0.76	142774	11.4	293000	
732.8	2.0	118349	25.4	1.4	133657	19.1	0.68	145107	10.4	293000	
770.2	1.9	132966	27.1	1.3	141376	19.2	0.65	157004	10.7	250000	
873.4	1.7	135520	24.4	1.1	144092	17.3	0.57	158310	9.5	250000	
1072	1.4	139779	20.5	0.93	148620	14.5	0.47	165048	8.1	250000	





FL620/635 S-65
 FL5" S-90
 FL6" ISL150
 SU-SUF ISL300
 S-45/46 IS300

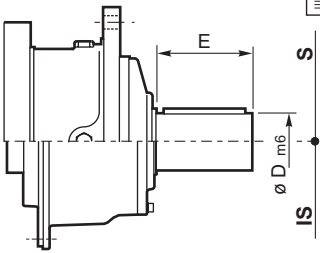




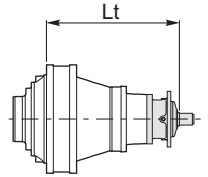
S1200

S-45/46, S-65, S-90, ISL150, ISL300, IS300

84

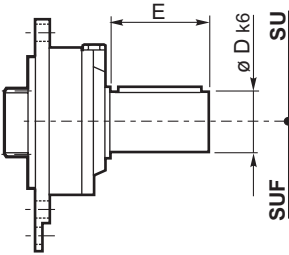


	S-45CR1	S-46C1	S-65CR1	S-90CR1	ISL150	ISL300	IS300
D m6	65	65	80	90	90	90	100
E	105	105	130	170	130	130	210
Lt							
SL12002			753.5	759.5	631	631	739
SL12003			897.5		775.5	775.5	
SL12004	893	934	931.5				

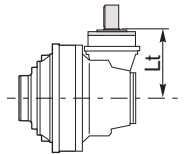
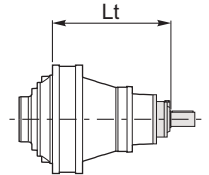


SU-SUF

85



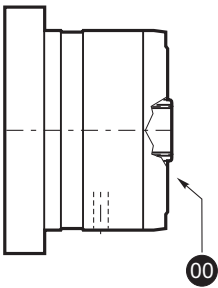
	SU/SUF.1	SU/SUF.2	SU/SUF.3
D k6	28	40	48
E	50	58	82
Lt			
SL12004	826	826	826
SC12004	317-350*	317-350*	317-350*



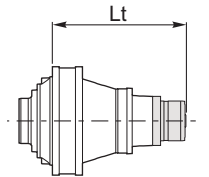
* → 57

FL5", FL6"

87



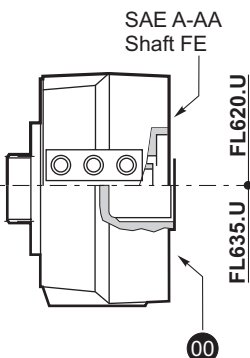
	FL250.4C FL250.6C	FL350.6C FL350.8C	FL450.6C FL450.8C	FL650.10C FL650.12C FL650.14C	FL750.10C FL750.12C FL750.14C	FL960.12C FL960.14C FL960.16C FL960.18C
Lt						
SL12003	784.5	784.5	784.5	798	798	812
SL12004	870.5	870.5	870.5	884	884	898
SC12004	408.5-441.5*	408.5-441.5*	408.5-441.5*	422-455*	422-455*	



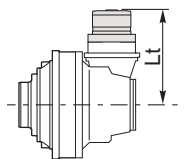
* → 57

FL620/635

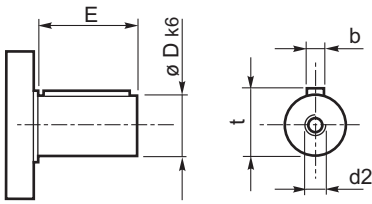
88



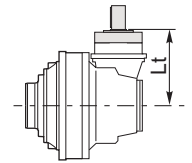
	FL620.U	FL635.U
Lt		
SL12004	870.5	857.5
SC12004	361.5-394.5*	348.5-381.5



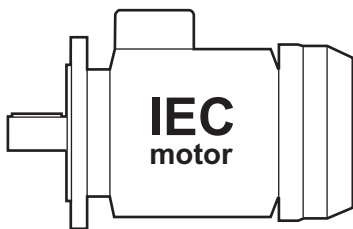
65.105, 48.82, 45.70



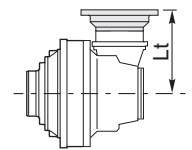
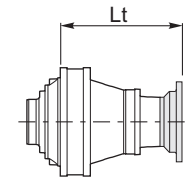
	65.105	48.82	45.70
D k6	65 m6	48	45
E	105	82	70
b	18	14	14
t	69	51.5	48.5
d2	M20x42	M10x22	M10x22
	Lt		
SC12003	376		
SC12004		317	307



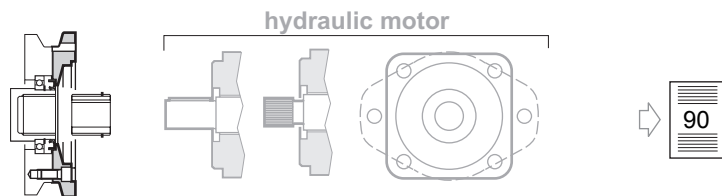
PAM IEC



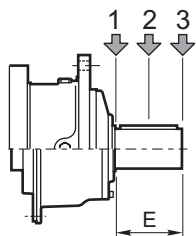
	IEC80-90	IEC100-112	IEC132	IEC160	IEC180	IEC200	IEC225
	Lt						
SL12004			861	872	872	902	932
SC12004				383-416*	383-416*	394-427*	424-457*



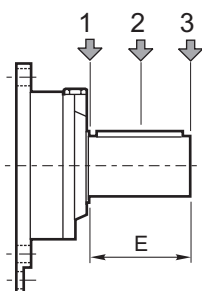
SAE J 744C, NEMA Adaptors



Carichi radiali sugli alberi entrata
Radial loads on input shafts



Type	E	Fr [N]					
		$n_1 \cdot h = 10^7$			$n_1 \cdot h = 10^8$		
		1	2	3	1	2	3
S-45CR1	105	10000	6000	4000	5000	3000	2000
S-46C1	105	14000	8800	6400	7000	4400	3200
S-65CR1	130	23800	15500	9600	11900	7800	4800
S-90CR1	170	29700	17000	10000	14800	8500	5000
ISL150	130	7631	4302	2995	3824	2156	1501
ISL300	130	7631	4302	2995	3824	2156	1501
IS300	210	48814	33068	22914	24465	16573	11484



Type	E	Fr [N]					
		$n_1 \cdot h = 10^7$			$n_1 \cdot h = 10^8$		
		1	2	3	1	2	3
SU1/SUF1	50	3000	2000	1500	1400	1000	700
SU2/SUF2	58	3000	2000	1500	1400	1000	700
SU3/SUF3	82	3000	1700	1200	1400	800	600