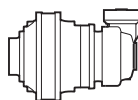


| i _{eff} | n ₁ [rpm] | | | | | | | | | T _{2MAX} [Nm] | P _T [kW] |
|------------------|---|---------------------|---------------------|----------------------|---------------------|---------------------|----------------------|---------------------|---------------------|------------------------|---------------------|
| | 1500 | | | 1000 | | | 500 | | | | |
| | n ₂ [rpm] | T ₂ [Nm] | P ₂ [kW] | n ₂ [rpm] | T ₂ [Nm] | P ₂ [kW] | n ₂ [rpm] | T ₂ [Nm] | P ₂ [kW] | | |
| SL8501 | | | | | | | | | | | |
| 4.18 | | | | | | | 120 | 42957 | 538 | 195000 | |
| 4.89 | Consultare il Servizio Tecnico Brevini / Please consult Brevini | | | | | | 102 | 44196 | 473 | 167000 | |
| 6.00 | | | | | | | 83 | 45944 | 401 | 123000 | |
| SL8502 | | | | | | | | | | | |
| 18.81 | | | | 53 | 54789 | 305 | 26.6 | 67453 | 188 | 195000 | |
| 19.76 | | | | 51 | 54574 | 289 | 25.3 | 67189 | 178 | 167000 | |
| 21.40 | Consultare il Servizio Tecnico Brevini | | | 46.7 | 56952 | 279 | 23.4 | 70117 | 172 | 195000 | |
| 25.08 | Please consult Brevini | | | 39.9 | 59727 | 249 | 19.9 | 73533 | 154 | 195000 | 56 |
| 29.34 | | | | 34.1 | 61449 | 219 | 17.0 | 70921 | 127 | 167000 | |
| 30.77 | | | | 32.5 | 57250 | 195 | 16.3 | 59737 | 102 | 150480 | |
| 35.99 | | | | 27.8 | 65333 | 190 | 13.9 | 69884 | 102 | 167000 | |
| SL8503 | | | | | | | | | | | |
| 74.30 | 20.2 | 73256 | 155 | 13.5 | 82732 | 117 | 6.7 | 89127 | 63 | 195000 | |
| 83.14 | 18.0 | 75769 | 143 | 12.0 | 85569 | 108 | 6.0 | 90435 | 57 | 195000 | |
| 87.32 | 17.2 | 70886 | 128 | 11.5 | 72671 | 87 | 5.7 | 75828 | 45.5 | 167000 | |
| 101.3 | 14.8 | 80401 | 125 | 9.9 | 87058 | 90 | 4.9 | 93182 | 48.2 | 195000 | |
| 112.9 | 13.3 | 83044 | 116 | 8.9 | 87635 | 81 | 4.4 | 94714 | 43.9 | 195000 | |
| 128.4 | 11.7 | 86162 | 105 | 7.8 | 88332 | 72 | 3.9 | 96582 | 39.4 | 195000 | 38 |
| 141.1 | 10.6 | 86661 | 96 | 7.1 | 88843 | 66 | 3.5 | 97965 | 36.4 | 195000 | |
| 160.5 | 9.3 | 87350 | 85 | 6.2 | 89954 | 59 | 3.1 | 99897 | 32.6 | 195000 | |
| 188.1 | 8.0 | 88204 | 74 | 5.3 | 92138 | 51 | 2.7 | 97951 | 27.3 | 195000 | |
| 202.5 | 7.4 | 58475 | 45 | 4.9 | 59948 | 31.0 | 2.5 | 65570 | 17.0 | 123000 | |
| SL8504 | | | | | | | | | | | |
| 233.5 | 6.4 | 89536 | 60 | 4.3 | 95199 | 42.7 | 2.1 | 105722 | 23.7 | 195000 | |
| 261.2 | 5.7 | 91071 | 55 | 3.8 | 96831 | 38.8 | 1.9 | 107535 | 21.6 | 195000 | |
| 291.0 | 5.2 | 92569 | 50.0 | 3.4 | 98424 | 35.4 | 1.7 | 109303 | 19.7 | 195000 | |
| 329.8 | 4.6 | 94340 | 44.9 | 3.0 | 100307 | 31.8 | 1.5 | 111394 | 17.7 | 195000 | |
| 371.5 | 4.0 | 96053 | 40.6 | 2.7 | 102128 | 28.8 | 1.4 | 113417 | 16.0 | 195000 | |
| 418.0 | 3.6 | 97782 | 36.7 | 2.4 | 103967 | 26.0 | 1.2 | 115459 | 14.5 | 195000 | |
| 468.9 | 3.2 | 99496 | 33.3 | 2.1 | 105789 | 23.6 | 1.1 | 117483 | 13.1 | 195000 | |
| 512.7 | 2.9 | 100849 | 30.9 | 2.0 | 107227 | 21.9 | 1.0 | 119080 | 12.2 | 195000 | |
| 571.1 | 2.6 | 102507 | 28.2 | 1.8 | 108991 | 20.0 | 0.88 | 121038 | 11.1 | 195000 | |
| 649.8 | 2.3 | 104528 | 25.3 | 1.5 | 111140 | 17.9 | 0.77 | 123425 | 9.9 | 195000 | 26 |
| 705.4 | 2.1 | 105835 | 23.6 | 1.4 | 112529 | 16.7 | 0.71 | 124733 | 9.3 | 195000 | |
| 802.6 | 1.9 | 107922 | 21.1 | 1.3 | 114748 | 15.0 | 0.62 | 127432 | 8.3 | 195000 | |
| 940.5 | 1.6 | 101069 | 16.9 | 1.1 | 105722 | 11.8 | 0.53 | 117408 | 6.5 | 195000 | |
| 963.1 | 1.6 | 110939 | 18.1 | 1.0 | 117956 | 12.8 | 0.52 | 130995 | 7.1 | 195000 | |
| 1129 | 1.3 | 102213 | 14.2 | 0.89 | 108678 | 10.1 | 0.44 | 120691 | 5.6 | 195000 | |
| 1296 | 1.2 | 81392 | 9.9 | 0.77 | 84549 | 6.8 | 0.39 | 93895 | 3.8 | 167000 | |
| 1350 | 1.1 | 81596 | 9.5 | 0.74 | 85072 | 6.6 | 0.37 | 94476 | 3.7 | 167000 | |
| 1620 | 0.93 | 82514 | 8.0 | 0.62 | 87451 | 5.7 | 0.31 | 97118 | 3.1 | 167000 | |
| 1987 | 0.75 | 78443 | 6.2 | 0.50 | 83405 | 4.4 | 0.25 | 92624 | 2.4 | 123000 | |

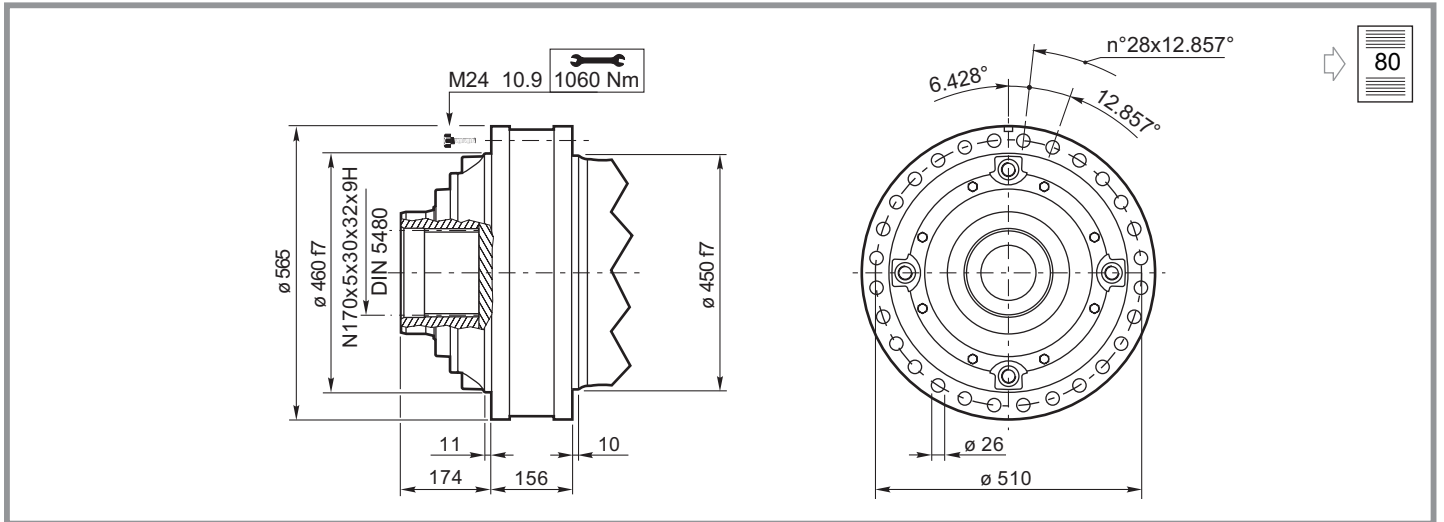
10000
HOURS LIFE



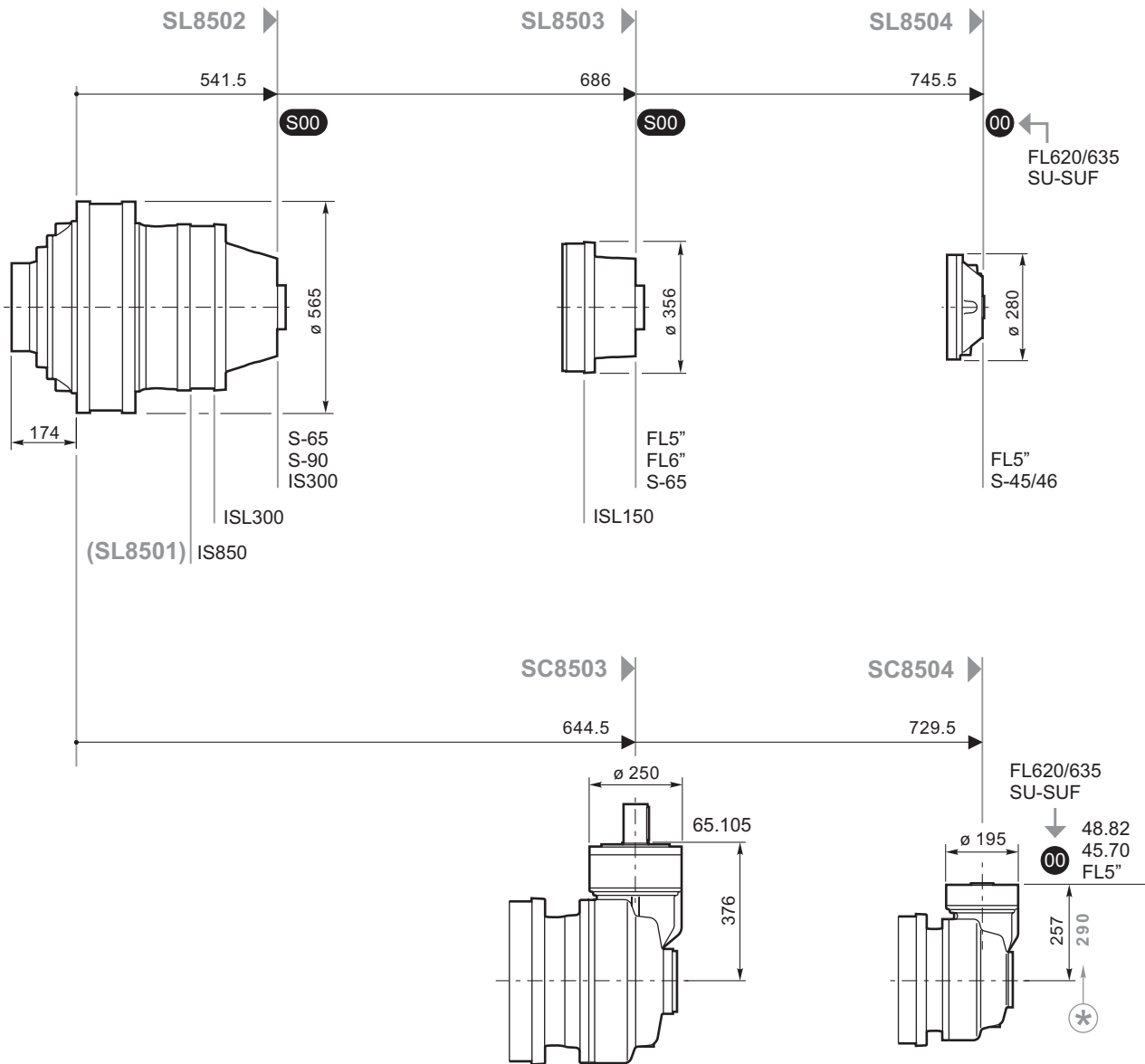
S850

| i _{eff} | n ₁ [rpm] | | | | | | | | | T _{2MAX} [Nm] | P _T [kW] | |
|------------------|----------------------|---------------------|---------------------|----------------------|---------------------|---------------------|----------------------|---------------------|---------------------|------------------------|---------------------|----|
| | 1500 | | | 1000 | | | 500 | | | | | |
| | n ₂ [rpm] | T ₂ [Nm] | P ₂ [kW] | n ₂ [rpm] | T ₂ [Nm] | P ₂ [kW] | n ₂ [rpm] | T ₂ [Nm] | P ₂ [kW] | | | |
| SC8503 | | | | | | | | | | | | |
| 42.89 | 35.0 | 34984 | 128 | 23.3 | 39509 | 96 | 11.7 | 48641 | 59 | 195000 | 27 | |
| 49.31 | 30.4 | 43093 | 137 | 20.3 | 48667 | 103 | 10.1 | 59916 | 64 | 195000 | | |
| 57.69 | 26.0 | 50413 | 137 | 17.3 | 56933 | 103 | 8.7 | 70093 | 64 | 167000 | | |
| 64.26 | 23.3 | 56153 | 137 | 15.6 | 63416 | 103 | 7.8 | 74415 | 61 | 167000 | | |
| 73.23 | 20.5 | 64000 | 137 | 13.7 | 72278 | 103 | 6.8 | 88984 | 64 | 195000 | | |
| 78.14 | 19.2 | 59130 | 119 | 12.8 | 60619 | 81 | 6.4 | 63253 | 42.4 | 195000 | | |
| 85.67 | 17.5 | 70803 | 130 | 11.7 | 72586 | 89 | 5.8 | 75740 | 46.3 | 167000 | | |
| 100.3 | 14.9 | 58497 | 92 | 10.0 | 66064 | 69 | 5.0 | 76981 | 40.2 | 167000 | | |
| 114.4 | 13.1 | 66672 | 92 | 8.7 | 75295 | 69 | 4.4 | 92699 | 42.4 | 195000 | | |
| 128.9 | 11.6 | 56878 | 69 | 7.8 | 58311 | 47.4 | 3.9 | 61243 | 24.9 | 123000 | | |
| 133.8 | 11.2 | 72766 | 85 | 7.5 | 74599 | 58 | 3.7 | 80404 | 31.5 | 167000 | | |
| 164.1 | 9.1 | 71702 | 69 | 6.1 | 73508 | 46.9 | 3.0 | 76701 | 24.5 | 167000 | | |
| SC8504 | | | | | | | | | | | | |
| 183.4* | 8.2 | 71482 | 61 | 5.5 | 80727 | 46.1 | 2.7 | 99387 | 28.4 | 195000 | | 20 |
| 205.3* | 7.3 | 79987 | 61 | 4.9 | 90333 | 46.1 | 2.4 | 103683 | 26.4 | 195000 | | |
| 235.0* | 6.4 | 89624 | 60 | 4.3 | 95292 | 42.5 | 2.1 | 105826 | 23.6 | 195000 | | |
| 261.7* | 5.7 | 91097 | 55 | 3.8 | 96859 | 38.8 | 1.9 | 107566 | 21.5 | 195000 | | |
| 278.6* | 5.4 | 91964 | 52 | 3.6 | 97780 | 36.7 | 1.8 | 108589 | 20.4 | 195000 | | |
| 310.4* | 4.8 | 93476 | 47.3 | 3.2 | 99388 | 33.5 | 1.6 | 110374 | 18.6 | 195000 | | |
| 353.1* | 4.2 | 95319 | 42.4 | 2.8 | 101348 | 30.1 | 1.4 | 112550 | 16.7 | 195000 | | |
| 388.0* | 3.9 | 96685 | 39.1 | 2.6 | 102800 | 27.7 | 1.3 | 114163 | 15.4 | 195000 | | |
| 449.4 | 3.3 | 98860 | 34.6 | 2.2 | 105113 | 24.5 | 1.1 | 116732 | 13.6 | 195000 | | |
| 493.8 | 3.0 | 100277 | 31.9 | 2.0 | 106619 | 22.6 | 1.0 | 118404 | 12.6 | 195000 | | |
| 561.8 | 2.7 | 102254 | 28.6 | 1.8 | 108721 | 20.3 | 0.89 | 120739 | 11.3 | 195000 | | |
| 625.4 | 2.4 | 100991 | 25.4 | 1.6 | 110498 | 18.5 | 0.80 | 122712 | 10.3 | 195000 | | |
| 687.0 | 2.2 | 105414 | 24.1 | 1.5 | 112082 | 17.1 | 0.73 | 124471 | 9.5 | 195000 | | |
| 781.7 | 1.9 | 107492 | 21.6 | 1.3 | 114291 | 15.3 | 0.64 | 126925 | 8.5 | 195000 | | |
| 916.0 | 1.6 | 100906 | 17.3 | 1.1 | 105302 | 12.0 | 0.55 | 116942 | 6.7 | 195000 | | |
| 986.2 | 1.5 | 70555 | 11.2 | 1.0 | 75018 | 8.0 | 0.51 | 83310 | 4.4 | 123000 | | |
| 1072 | 1.4 | 93281 | 13.7 | 0.93 | 99181 | 9.7 | 0.47 | 110144 | 5.4 | 167000 | | |
| 1290 | 1.2 | 73483 | 8.9 | 0.77 | 78131 | 6.3 | 0.39 | 86768 | 3.5 | 123000 | | |
| 1613 | 0.93 | 76006 | 7.4 | 0.62 | 80813 | 5.2 | 0.31 | 89746 | 2.9 | 123000 | | |





80



00 → 89

S00 → 89

FL620/635
FL5\"
FL6\"
SU-SUF
S-45/46

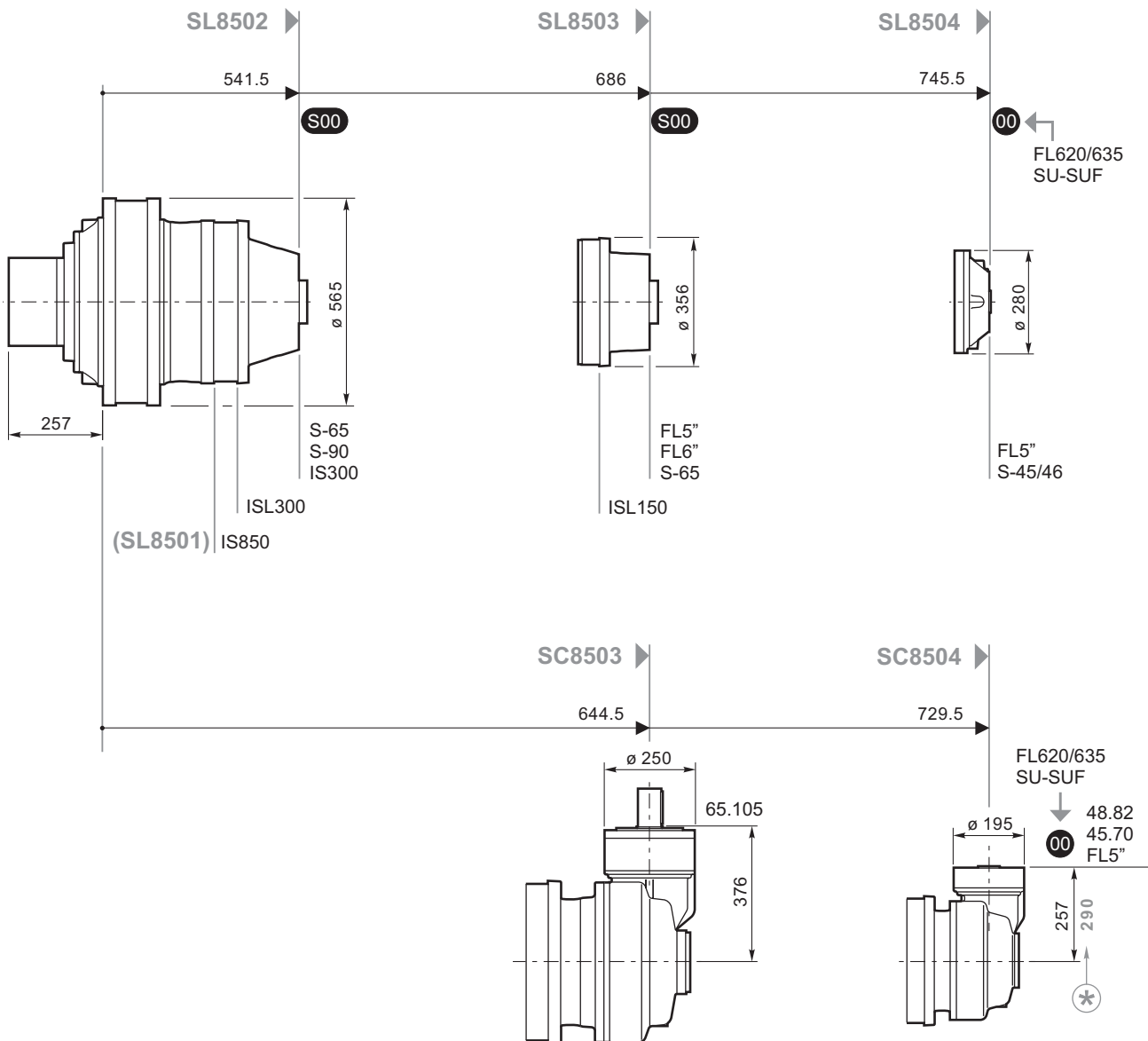
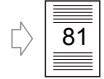
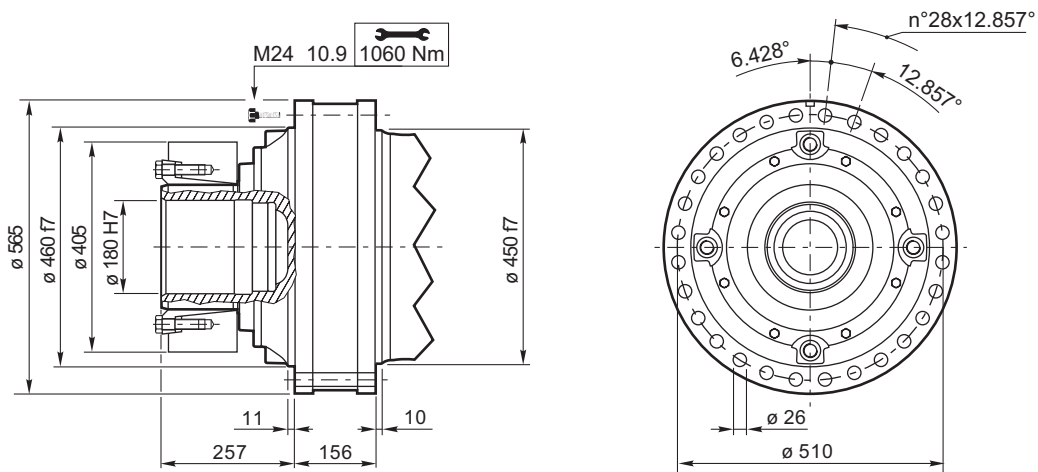
S-65
S-90
ISL150
ISL300
IS300
IS850

→ 52

65.105 → 53
48.82
45.70

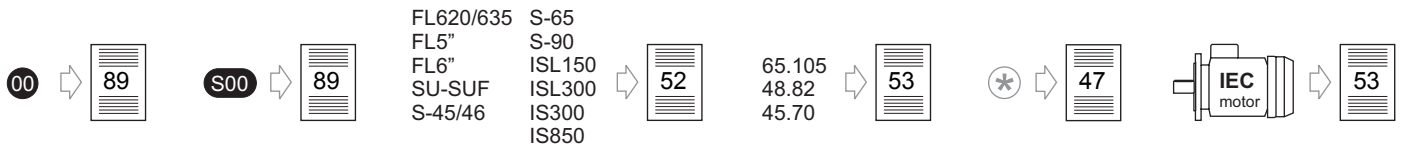
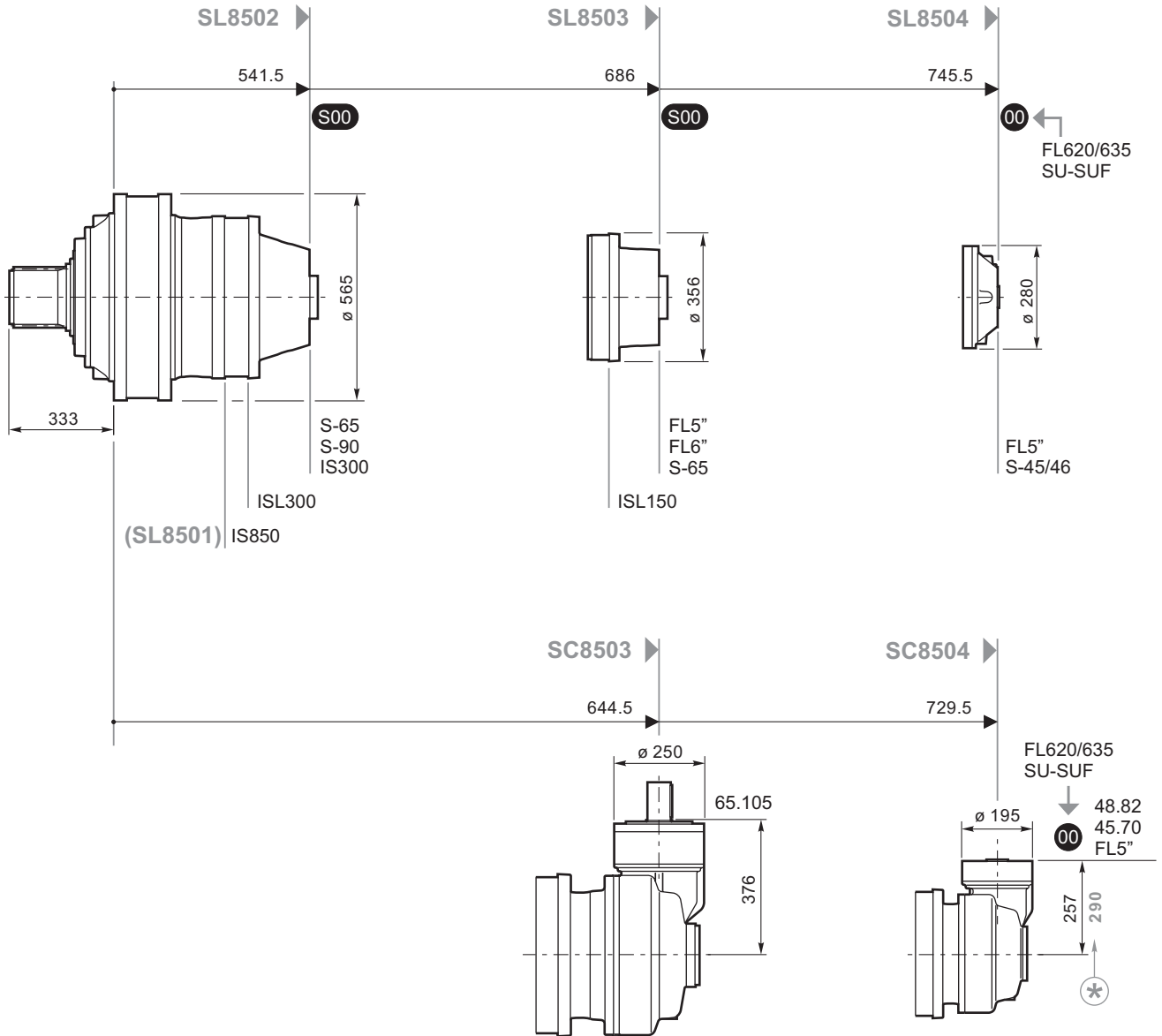
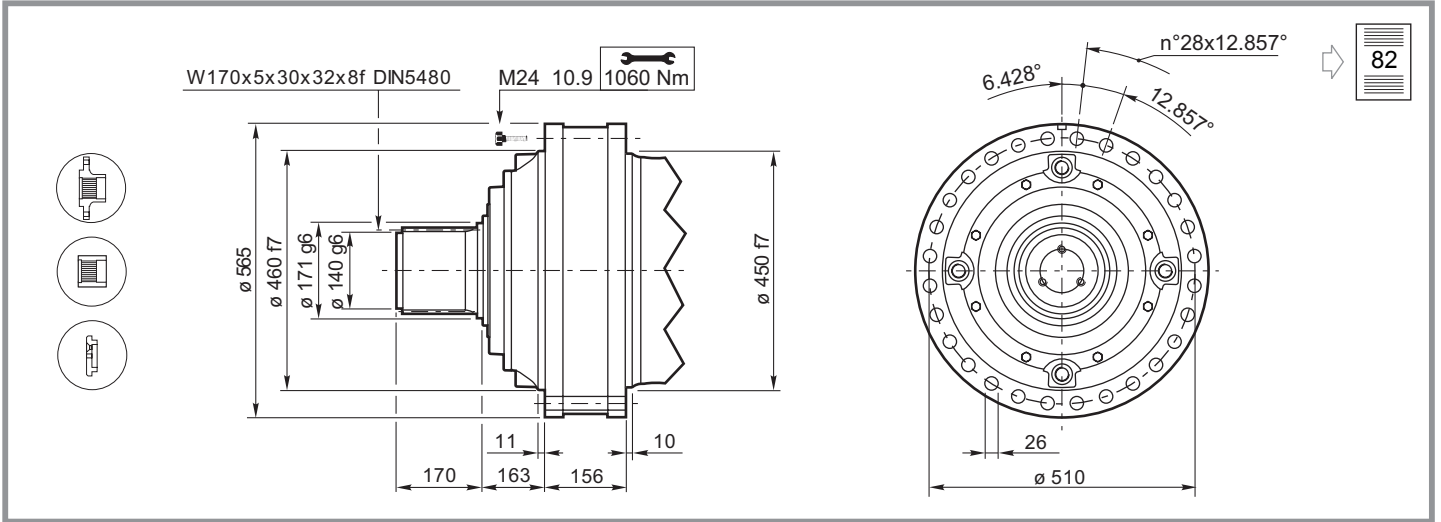
* → 47

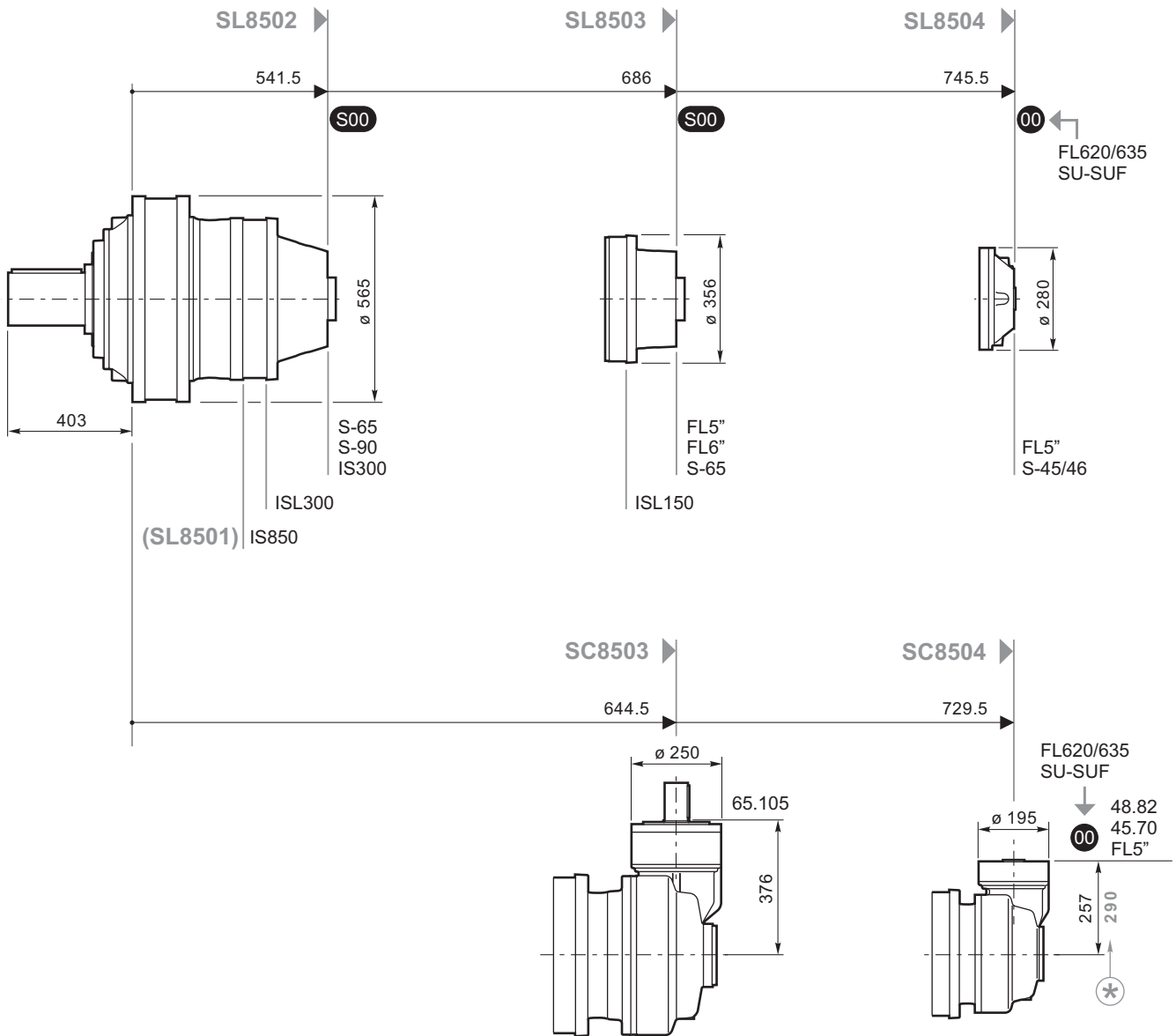
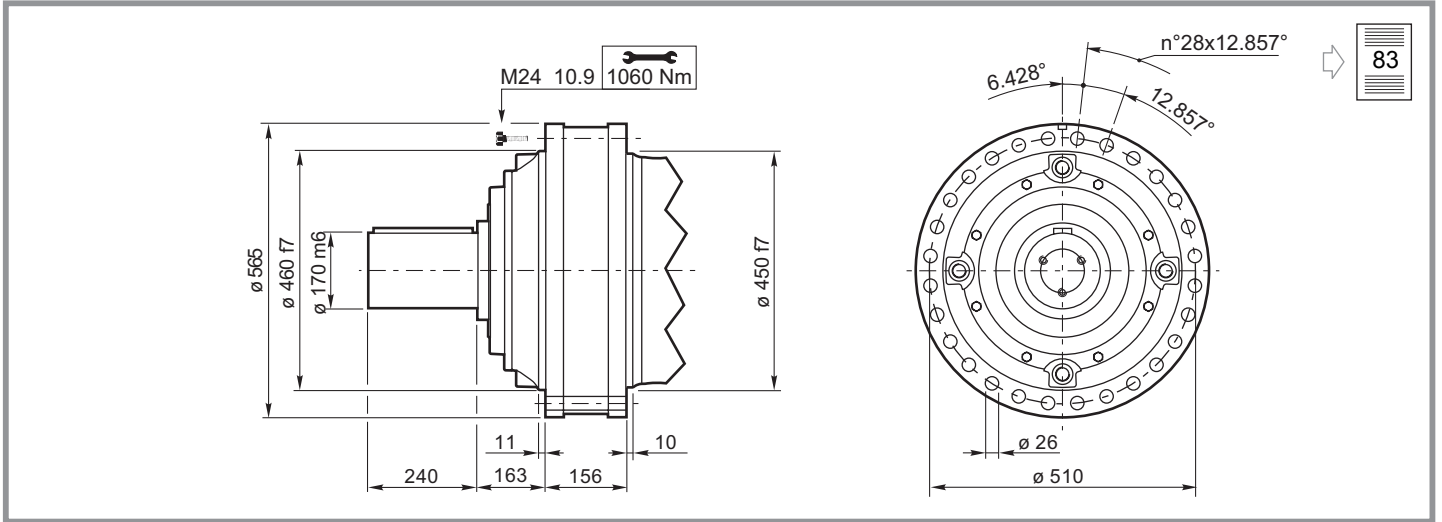
IEC motor → 53



FL620/635 S-65
 FL5\" S-90
 FL6\" ISL150
 SU-SUF ISL300
 S-45/46 IS300
 IS850





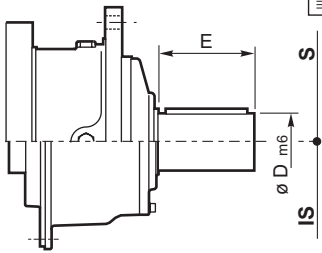


| | | | | | | | | | | | | |
|----|----|-----|----|--|--|----|--------|----|---|----|-----------|----|
| 00 | 89 | S00 | 89 | FL620/635 S-65 FL5\" FL6\" SU-SUF S-45/46 | S-65 S-90 ISL150 ISL300 IS300 IS850 | 52 | 65.105 | 53 | * | 47 | IEC motor | 53 |
|----|----|-----|----|--|--|----|--------|----|---|----|-----------|----|

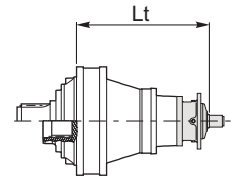
S850

S-45/46, S-65, S-90, ISL150, ISL300, IS300, IS850

84

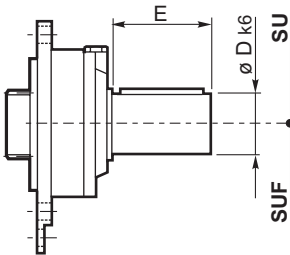


| | S-45CR1 | S-46C1 | S-65CR1 | S-90CR1 | ISL150 | ISL300 | IS300 | IS850 |
|-----------|---------|--------|---------|---------|--------|--------|-------|-------|
| D m6 | 65 | 65 | 80 | 90 | 90 | 90 | 100 | 110 |
| E | 105 | 105 | 130 | 170 | 130 | 130 | 210 | 210 |
| Lt | | | | | | | | |
| SL8501 | | | | | | | | 578.5 |
| SL8502 | | | 734 | 740 | 611.5 | 611.5 | 719.5 | |
| SL8503 | | | 878 | | 756 | 756 | | |
| SL8504 | 873.5 | 914.5 | 912 | | | | | |

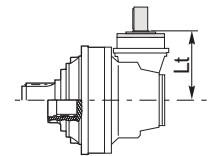
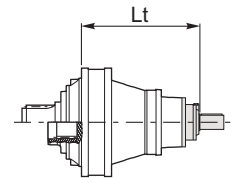


SU-SUF

85



| | SU/SUF.1 | SU/SUF.2 | SU/SUF.3 |
|-----------|----------|----------|----------|
| D k6 | 28 | 40 | 48 |
| E | 50 | 58 | 82 |
| Lt | | | |
| SL8504 | 806.5 | 806.5 | 806.5 |
| SC8504 | 317-350* | 317-350* | 317-350* |

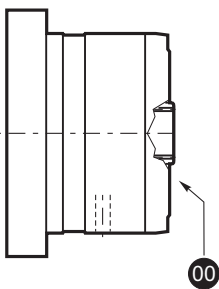


*

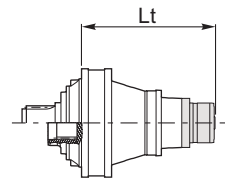
47

FL5", FL6"

87

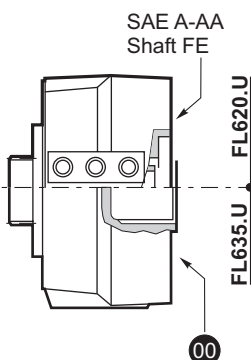


| | FL250.4C FL250.6C | FL350.6C FL350.8C | FL450.6C FL450.8C | FL650.10C FL650.12C FL650.14C | FL750.10C FL750.12C FL750.14C | FL960.12C FL960.14C FL960.16C FL960.18C |
|-----------|----------------------|----------------------|----------------------|-------------------------------------|-------------------------------------|--|
| Lt | | | | | | |
| SL8503 | 765 | 765 | 765 | 778.5 | 778.5 | 792.5 |
| SL8504 | 851 | 851 | 851 | 864.5 | 864.5 | 878.5 |
| SC8504 | 408.5-441.5* | 408.5-441.5* | 408.5-441.5* | 422-455* | 422-455* | |



FL620/635

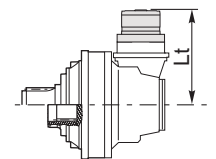
88



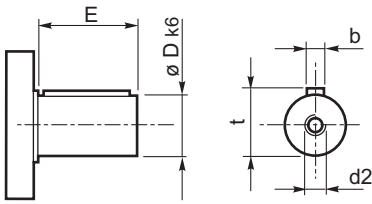
| | FL620.U | FL635.U |
|-----------|--------------|--------------|
| Lt | | |
| SL8504 | 851 | 838 |
| SC8504 | 361.5-394.5* | 348.5-381.5* |

*

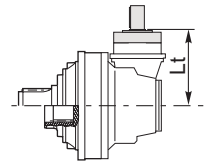
47



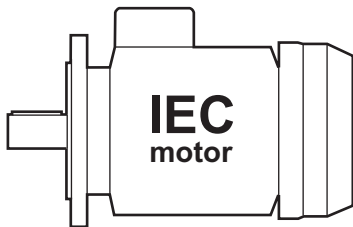
65.105, 48.82, 45.70



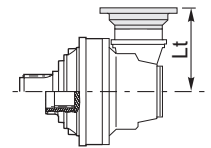
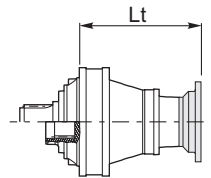
| | 65.105 | 48.82 | 45.70 |
|---------------|---------------|--------------|--------------|
| D k6 | 65 m6 | 48 | 45 |
| E | 105 | 82 | 70 |
| b | 18 | 14 | 14 |
| t | 69 | 51.5 | 48.5 |
| d2 | M20x42 | M10x22 | M10x22 |
| | Lt | | |
| SC8503 | 376 | | |
| SC8504 | | 317 | 307 |



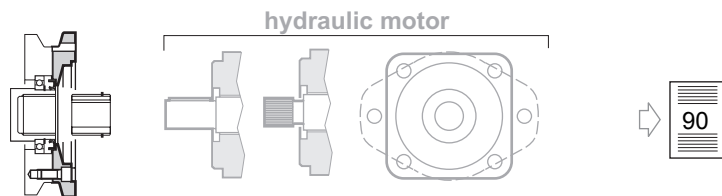
PAM IEC



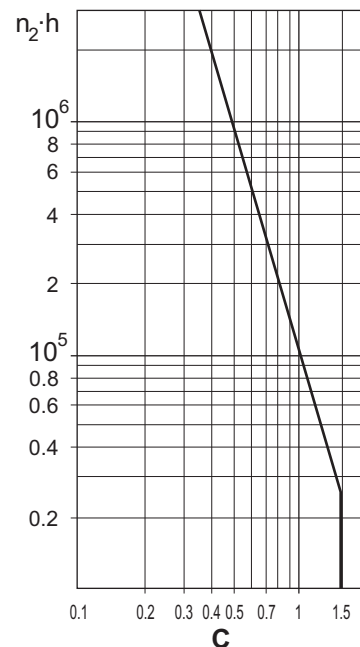
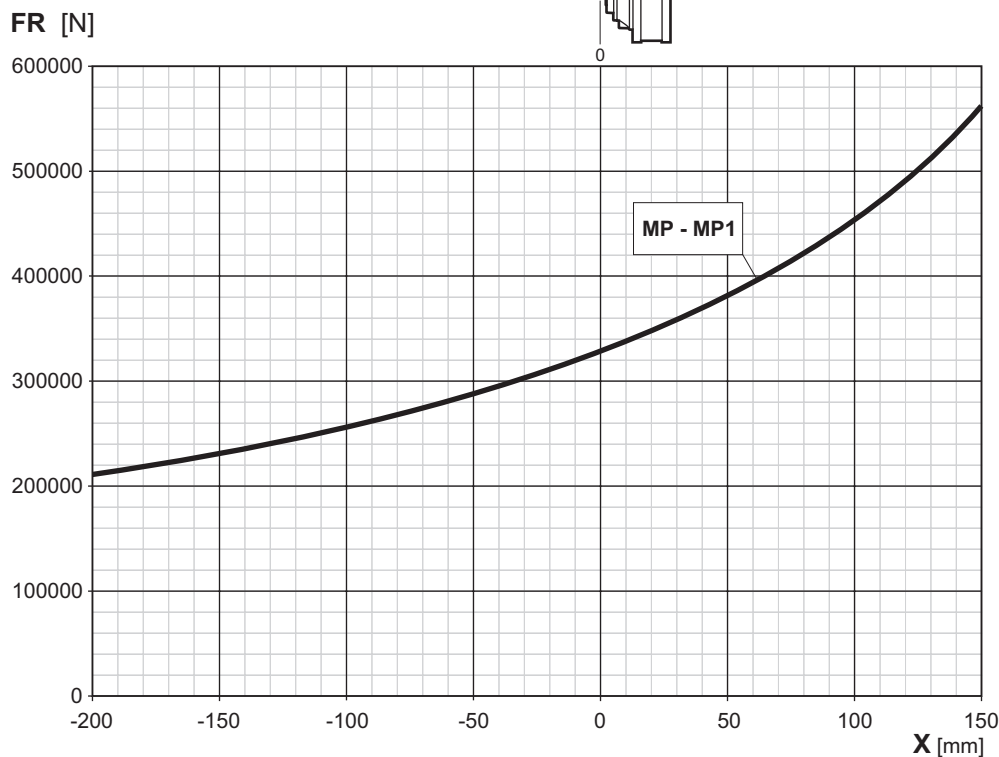
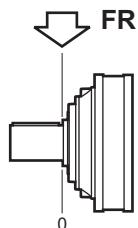
| | IEC80-90 | IEC100-112 | IEC132 | IEC160 | IEC180 | IEC200 | IEC225 |
|---------------|-----------------|-------------------|---------------|---------------|---------------|---------------|---------------|
| | Lt | | | | | | |
| SL8503 | | | | | | 761 | 791 |
| SL8504 | | 774.5 | 841.5 | 852.5 | 852.5 | 882.5 | 912.5 |
| SC8504 | | | 352-385* | 383-416* | 383-416* | 394-427* | 424-457* |



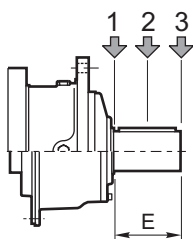
SAE J 744C, NEMA Adaptors



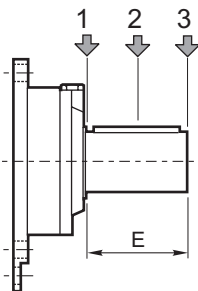
Carichi radiali sugli alberi uscita
Radial loads on output shafts



Carichi radiali sugli alberi entrata
Radial loads on input shafts



| Type | E | Fr [N] | | | | | |
|---------|-----|----------------------|-------|-------|----------------------|-------|-------|
| | | $n_1 \cdot h = 10^7$ | | | $n_1 \cdot h = 10^8$ | | |
| | | 1 | 2 | 3 | 1 | 2 | 3 |
| S-45CR1 | 105 | 10000 | 6000 | 4000 | 5000 | 3000 | 2000 |
| S-46C1 | 105 | 14000 | 8800 | 6400 | 7000 | 4400 | 3200 |
| S-65CR1 | 130 | 23800 | 15500 | 9600 | 11900 | 7800 | 4800 |
| S-90CR1 | 170 | 29700 | 17000 | 10000 | 14800 | 8500 | 5000 |
| ISL150 | 130 | 7631 | 4302 | 2995 | 3824 | 2156 | 1501 |
| ISL300 | 130 | 7631 | 4302 | 2995 | 3824 | 2156 | 1501 |
| IS300 | 210 | 48814 | 33068 | 22914 | 24465 | 16573 | 11484 |
| IS850 | 210 | 56261 | 39088 | 29352 | 28197 | 19590 | 14711 |



| Type | E | Fr [N] | | | | | |
|----------|----|----------------------|------|------|----------------------|------|-----|
| | | $n_1 \cdot h = 10^7$ | | | $n_1 \cdot h = 10^8$ | | |
| | | 1 | 2 | 3 | 1 | 2 | 3 |
| SU1/SUF1 | 50 | 3000 | 2000 | 1500 | 1400 | 1000 | 700 |
| SU2/SUF2 | 58 | 3000 | 2000 | 1500 | 1400 | 1000 | 700 |
| SU3/SUF3 | 82 | 3000 | 1700 | 1200 | 1400 | 800 | 600 |