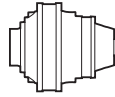


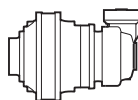
S400



10000
HOURS LIFE

i _{eff}	n ₁ [rpm]									T _{2MAX} [Nm]	P _T [kW]
	1500			1000			500				
	n ₂ [rpm]	T ₂ [Nm]	P ₂ [kW]	n ₂ [rpm]	T ₂ [Nm]	P ₂ [kW]	n ₂ [rpm]	T ₂ [Nm]	P ₂ [kW]		
SL4001											
4.18	359	19350	727	239	21853	547	120	26904	337	84000	
4.89	307	19908	639	204	22482	481	102	27679	296	84000	
6.00	250	20695	542	167	23371	408	83	27275	238	72000	
SL4002											
16.51	91	22514	214	61	25426	161	30.3	31303	99	84000	
18.48	81	23250	198	54	26257	149	27.1	32327	92	84000	
19.32	78	26338	214	52	29745	161	25.9	36620	99	84000	
21.61	69	27199	198	46.3	30717	149	23.1	37779	92	84000	
24.74	61	27621	175	40.4	31194	132	20.2	38094	81	84000	38
29.34	51	28748	154	34.1	32466	116	17.0	38494	69	84000	
30.36	49.4	28164	146	32.9	28873	100	16.5	30127	52	72000	
36.00	41.7	28460	124	27.8	29176	85	13.9	30444	44.3	72000	
45.00	33.3	28852	101	22.2	29579	69	11.1	30864	35.9	72000	
SL4003											
57.79	26.0	32785	89	17.3	37025	67	8.7	45584	41.3	84000	
64.67	23.2	33856	82	15.5	38236	62	7.7	47074	38.1	84000	
67.60	22.2	37876	88	14.8	38830	60	7.4	40517	31.4	84000	
83.64	17.9	38374	72	12.0	39340	49.3	6.0	41049	25.7	84000	
93.59	16.0	38639	65	10.7	39613	44.3	5.3	41345	23.1	84000	
102.7	14.6	38860	59	9.7	39839	40.6	4.9	41930	21.4	84000	25
110.9	13.5	39799	56	9.0	44946	42.5	4.5	51108	24.1	84000	
126.9	11.8	40416	50	7.9	45644	37.7	3.9	52164	21.5	84000	
146.7	10.2	39720	42.5	6.8	40720	29.1	3.4	44254	15.8	84000	
159.1	9.4	31176	30.8	6.3	31962	21.0	3.1	34209	11.3	72000	
SL4004											
178.0	8.4	45945	40.5	5.6	49438	29.1	2.8	54903	16.2	84000	
202.3	7.4	47741	37.1	4.9	50403	26.1	2.5	55975	14.5	84000	
226.3	6.6	48269	33.5	4.4	51268	23.7	2.2	56935	13.2	84000	
259.1	5.8	49214	29.8	3.9	52327	21.1	1.9	56892	11.5	84000	
288.9	5.2	50033	27.2	3.5	53197	19.3	1.7	59078	10.7	84000	
330.4	4.5	51058	24.3	3.0	54287	17.2	1.5	60288	9.6	84000	
370.1	4.1	51943	22.0	2.7	55228	15.6	1.4	59162	8.4	84000	
419.0	3.6	52925	19.8	2.4	56273	14.1	1.2	62493	7.8	84000	
468.8	3.2	53833	18.0	2.1	57238	12.8	1.1	63565	7.1	84000	
524.1	2.9	54748	16.4	1.9	56932	11.4	1.0	62358	6.2	84000	
580.0	2.6	55594	15.1	1.7	59110	10.7	0.86	65644	5.9	84000	17
656.1	2.3	56304	13.5	1.5	58092	9.3	0.76	64513	5.1	84000	
718.2	2.1	57421	12.6	1.4	61053	8.9	0.70	67801	4.9	84000	
803.7	1.9	58406	11.4	1.2	62100	8.1	0.62	68964	4.5	84000	
920.1	1.6	57503	9.8	1.1	61140	7.0	0.54	67898	3.9	84000	
1042	1.4	38498	5.8	1.0	40933	4.1	0.48	45288	2.3	72000	
1076	1.4	50664	7.4	0.93	53869	5.2	0.46	59823	2.9	84000	
1276	1.2	51987	6.4	0.78	55117	4.5	0.39	61209	2.5	84000	
1413	1.1	40310	4.5	0.71	42700	3.2	0.35	47420	1.8	72000	
1631	0.92	41197	4.0	0.61	43640	2.8	0.31	48464	1.6	72000	
1958	0.77	42349	3.4	0.51	44860	2.4	0.26	49819	1.3	72000	

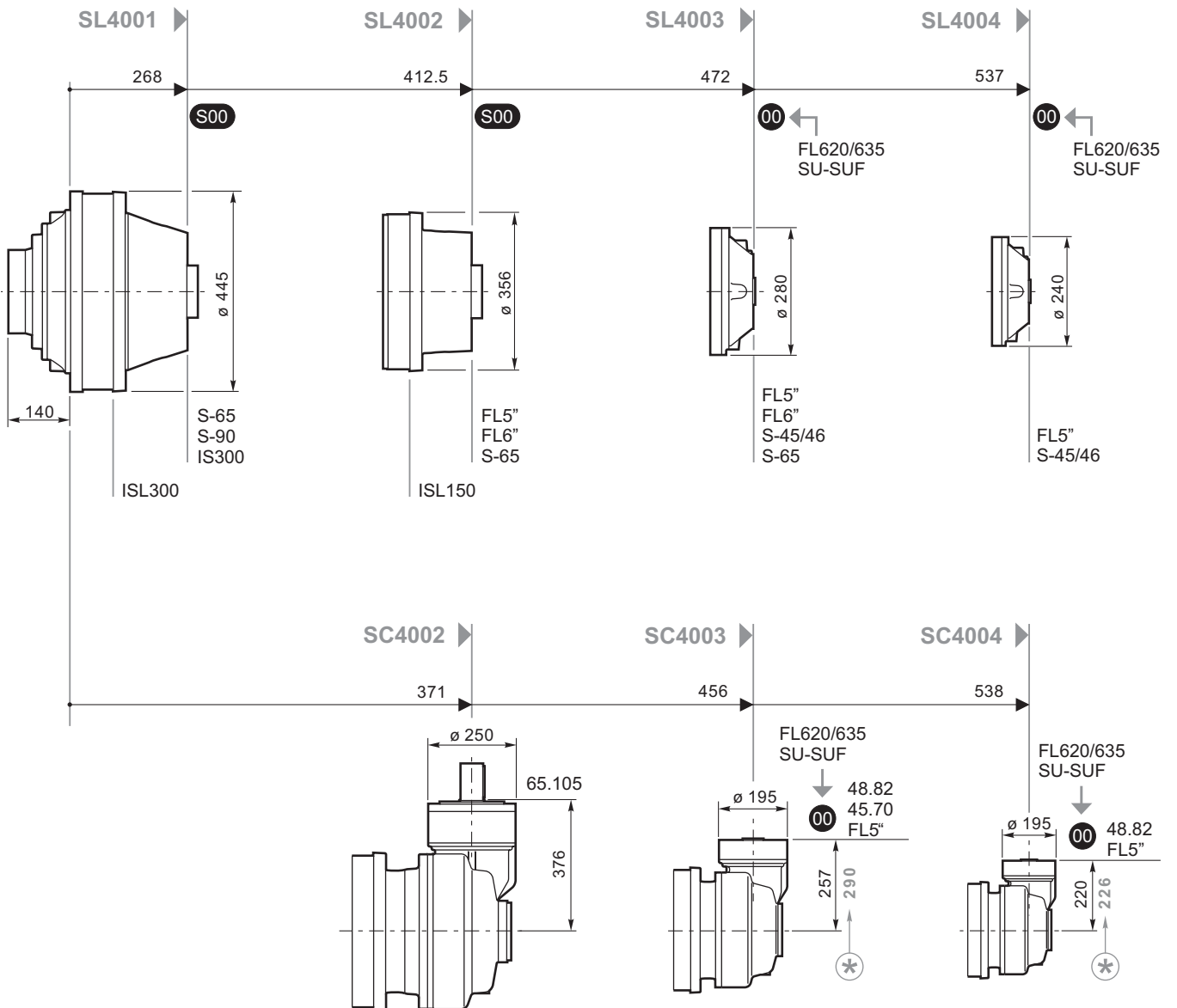
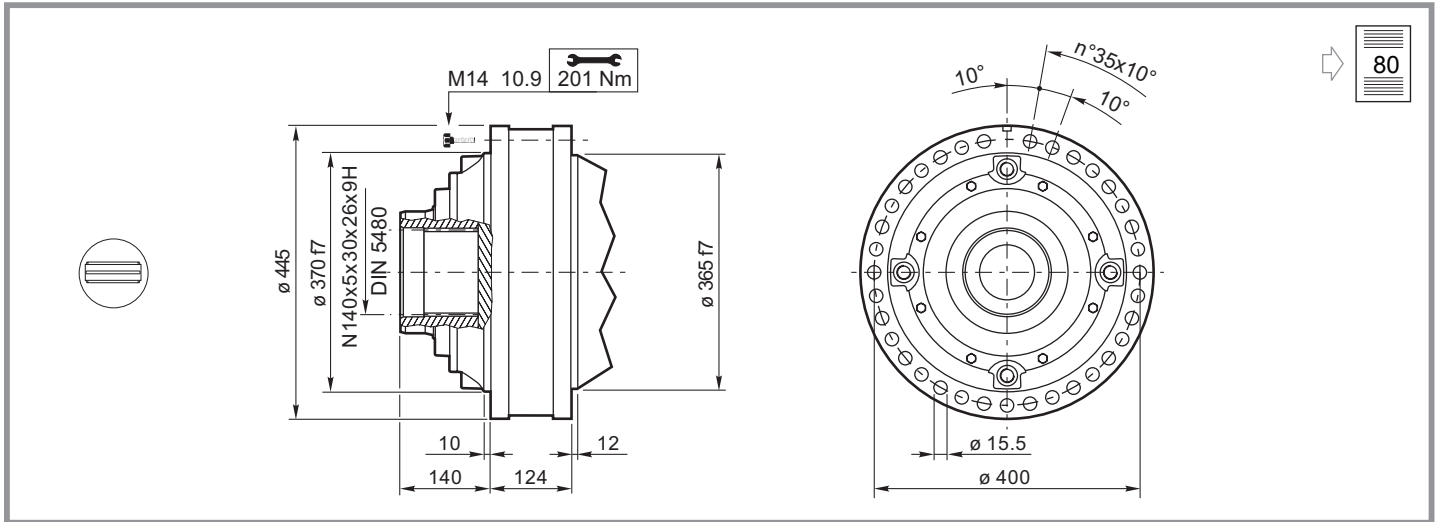
10000
HOURS LIFE



S400

i _{eff}	n ₁ [rpm]									T _{2MAX} [Nm]	P _T [kW]	
	1500			1000			500					
	n ₂ [rpm]	T ₂ [Nm]	P ₂ [kW]	n ₂ [rpm]	T ₂ [Nm]	P ₂ [kW]	n ₂ [rpm]	T ₂ [Nm]	P ₂ [kW]			
SC4002												
12.21	123	10667	137	82	12046	103	41.0	14831	64	81893	21	
14.28	105	12478	137	70	14092	103	35.0	17350	64	84000		
15.24	98	12430	128	66	14037	96	32.8	17282	59	72000		
17.52	86	15311	137	57	17291	103	28.5	21288	64	72000		
19.06	79	11112	92	52	12549	69	26.2	15450	42.4	53483		
22.30	67	12999	92	44.8	14681	69	22.4	18074	42.4	62567		
27.36	55	15950	92	36.5	18013	69	18.3	22177	42.4	72000		
SC4003												
45.41*	33.0	17693	61	22.0	19982	46.1	11.0	24601	28.4	84000	18	
50.81*	29.5	19799	61	19.7	22360	46.1	9.8	27528	28.4	84000		
58.17*	25.8	22666	61	17.2	25597	46.1	8.6	31514	28.4	84000		
65.18*	23.0	25397	61	15.3	28682	46.1	7.7	31573	25.4	72000		
72.93*	20.6	28419	61	13.7	30468	43.7	6.9	31791	22.8	72000		
80.69*	18.6	31441	61	12.4	35508	46.1	6.2	40959	26.6	84000		
86.21*	17.4	24979	45.5	11.6	25608	31.1	5.8	26720	16.2	84000		
99.00*	15.2	30282	48.0	10.1	31044	32.8	5.1	32393	17.1	72000		
109.7	13.7	24649	35.3	9.1	25990	24.8	4.6	27119	12.9	84000		
123.8*	12.1	30699	39.0	8.1	31472	26.6	4.0	32933	13.9	72000		
142.9	10.5	23075	25.4	7.0	26060	19.1	3.5	32083	11.8	84000		
157.5	9.5	31157	31.1	6.3	31941	21.2	3.2	34156	11.4	72000		
SC4004												
173.4	8.7	39100	35.4	5.8	44157	26.7	2.9	54364	16.4	84000		13
194.0	7.7	43752	35.4	5.2	49411	26.7	2.6	55623	15.0	84000		
214.5	7.0	48110	35.2	4.7	50853	24.8	2.3	56474	13.8	84000		
247.7	6.1	48880	31.0	4.0	51971	22.0	2.0	57716	12.2	84000		
277.1	5.4	49718	28.2	3.6	52863	20.0	1.8	58706	11.1	84000		
317.3	4.7	50745	25.1	3.2	53955	17.8	1.6	57799	9.5	84000		
371.2	4.0	43128	18.3	2.7	45856	12.9	1.3	50925	7.2	84000		
380.7	3.9	52164	21.5	2.6	55464	15.3	1.3	59415	8.2	84000		
457.7*	3.3	44795	15.4	2.2	50590	11.6	1.1	62283	7.1	84000		
512.1*	2.9	50126	15.4	2.0	56609	11.6	0.98	64420	6.6	84000		
586.3*	2.6	55685	14.9	1.7	57325	10.2	0.85	63425	5.7	84000		
599.1*	2.5	46368	12.2	1.7	49301	8.6	0.83	54750	4.8	84000		
685.9*	2.2	47326	10.8	1.5	50319	7.7	0.73	55882	4.3	84000		
813.3*	1.8	48562	9.4	1.2	51633	6.6	0.61	57176	3.7	84000		
900.2*	1.7	37654	6.6	1.1	40036	4.7	0.56	44296	2.6	72000		
1040*	1.4	38483	5.8	0.96	40917	4.1	0.48	45271	2.3	72000		
1247*	1.2	39559	5.0	0.80	42061	3.5	0.40	46536	2.0	72000		





00 → 89

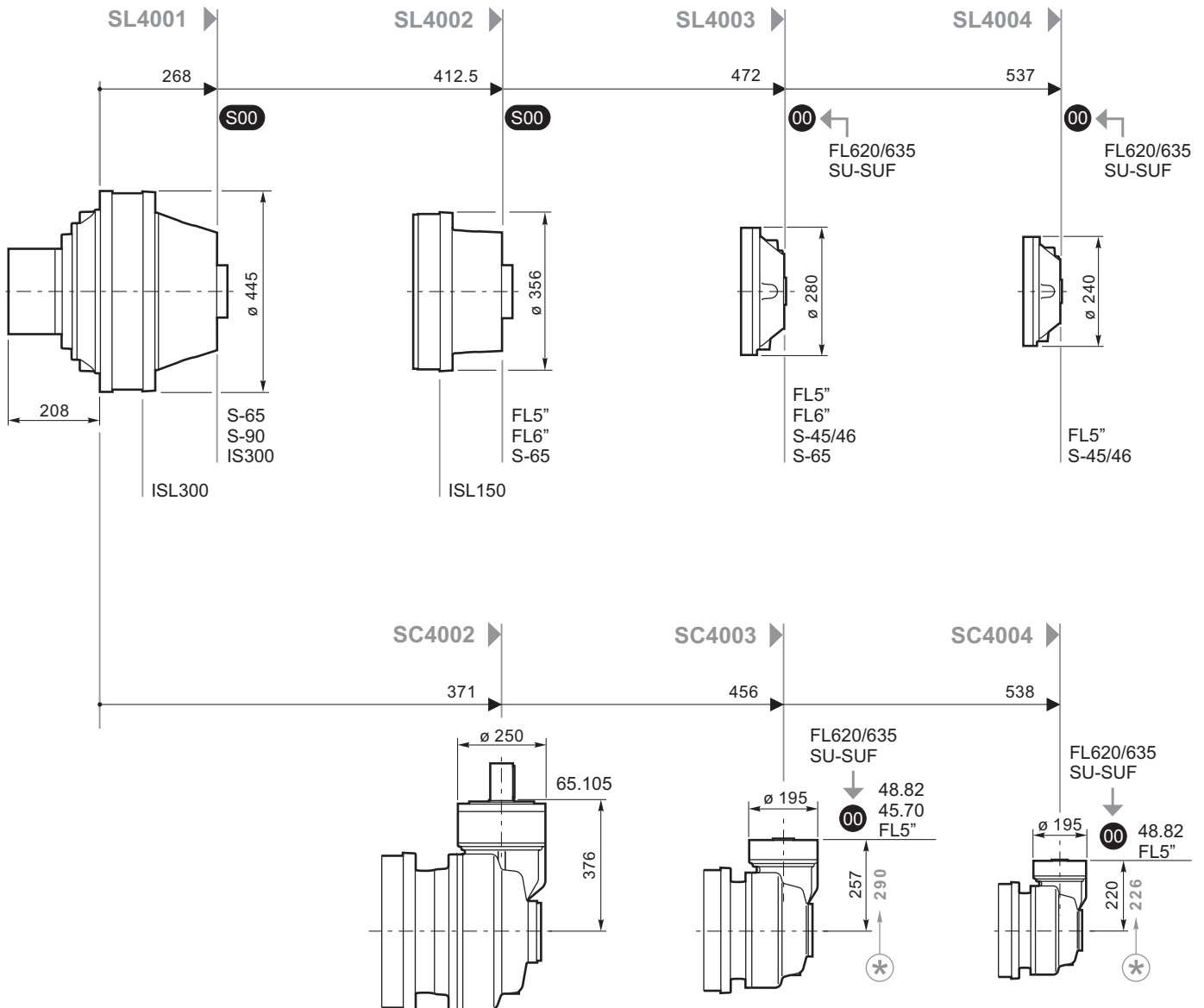
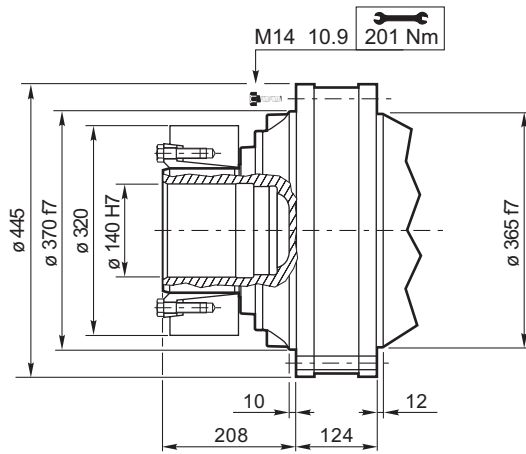
S00 → 89

FL620/635 SU-SUF → 32
 S-65 ISL150
 FL5" ISL300
 S-90 IS300

65.105 → 33
 48.82
 45.70

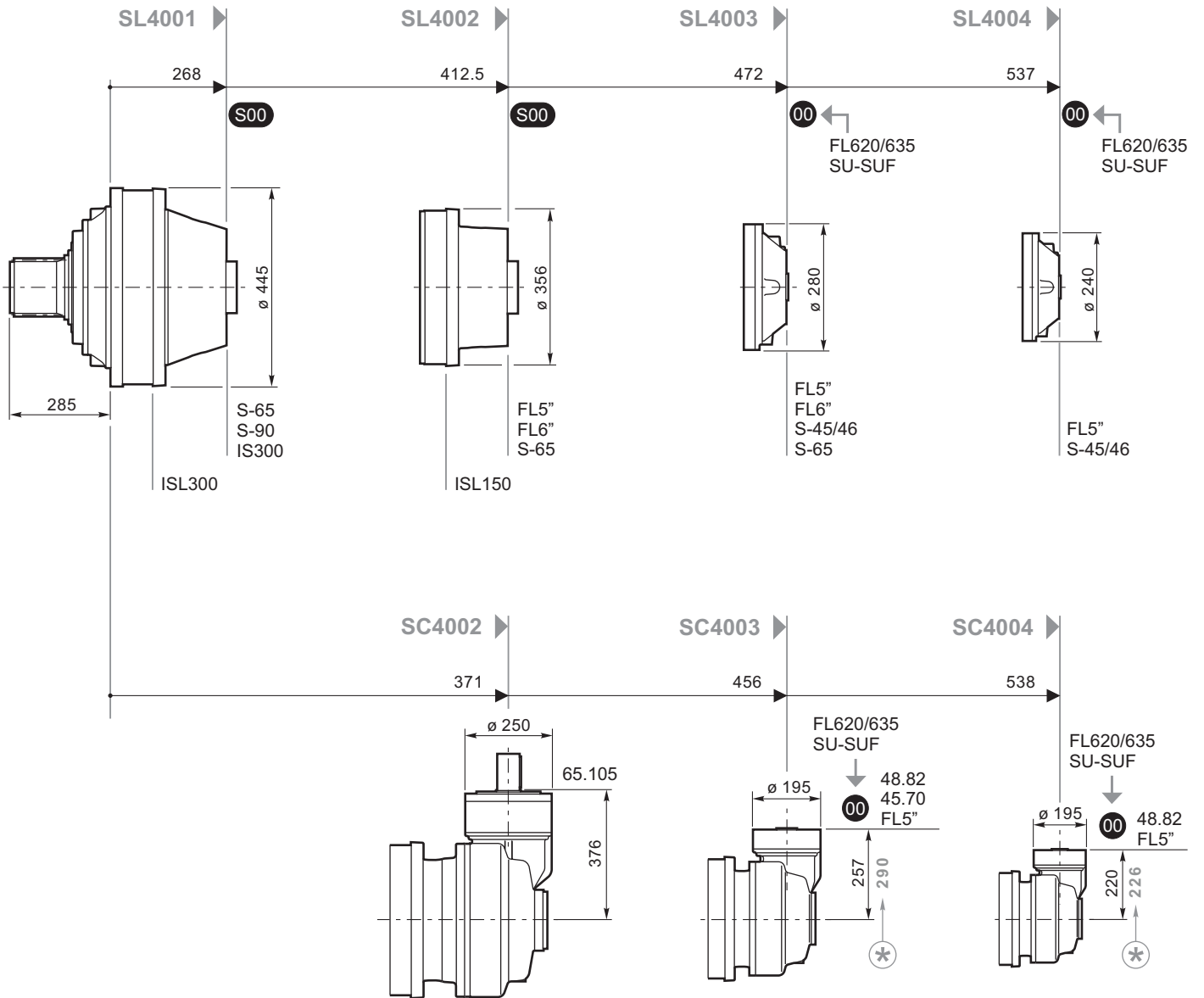
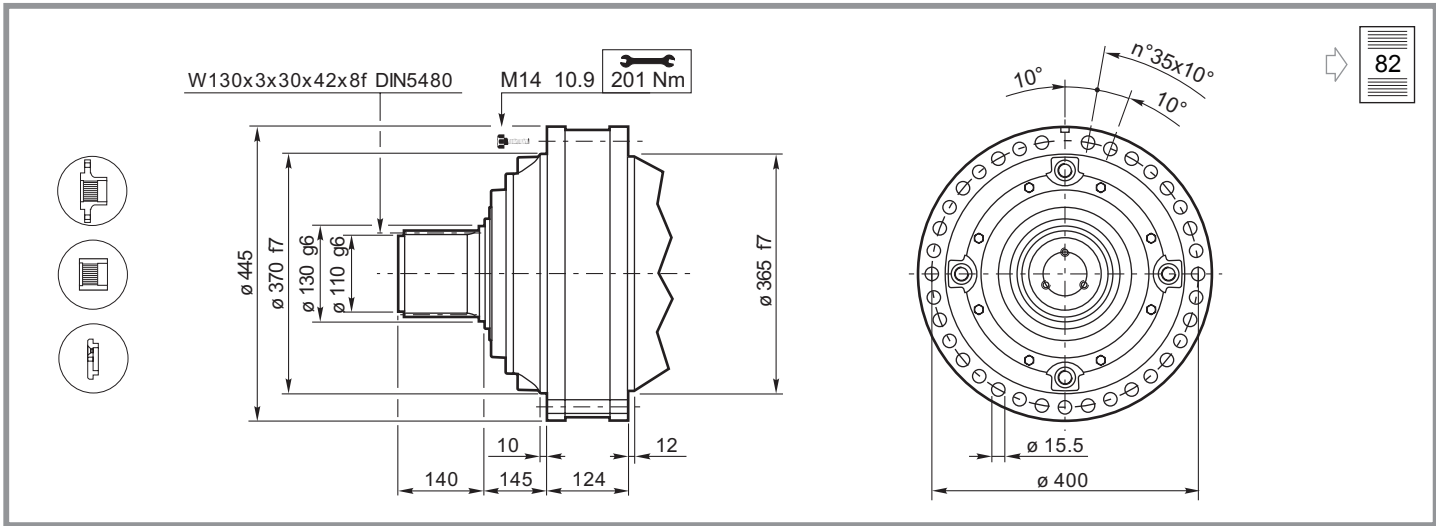
* → 27

IEC motor → 33

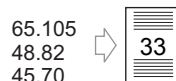


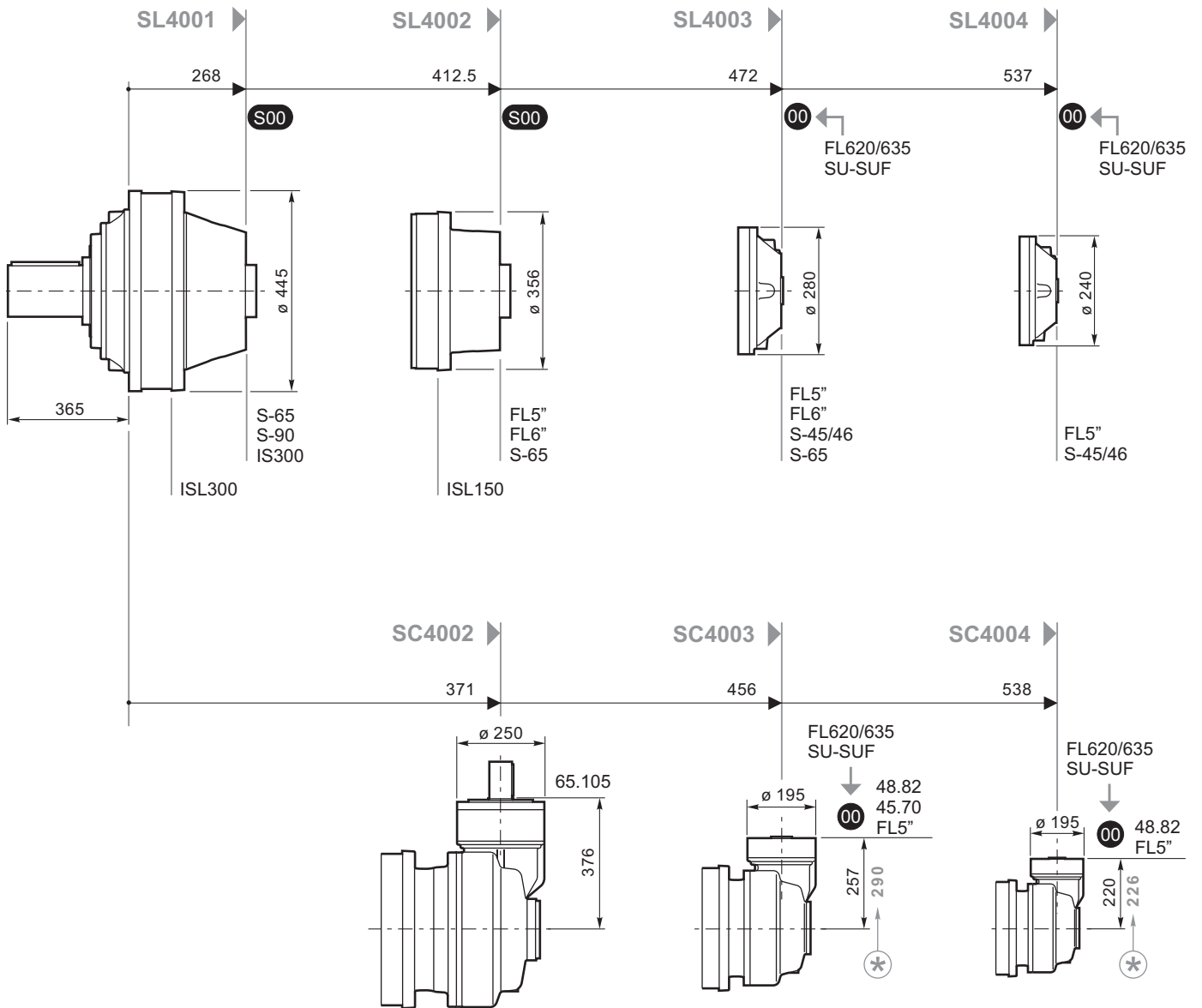
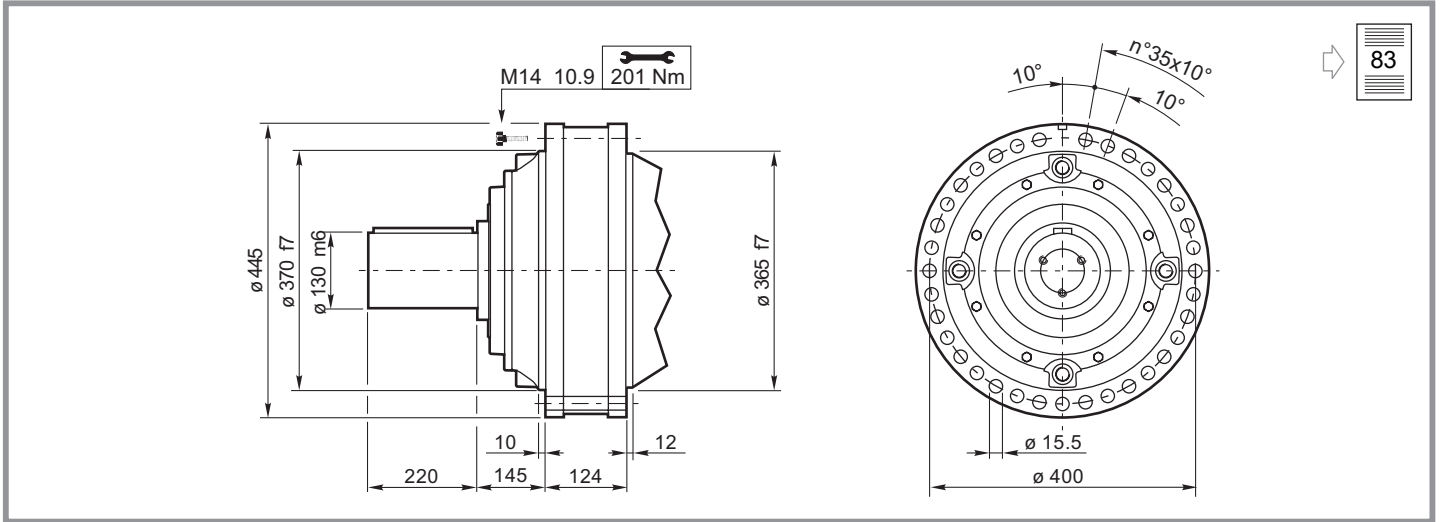
FL620/635 S-65
 FL5" S-90
 FL6" ISL150
 SU-SUF ISL300
 S-45/46 IS300



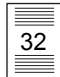


FL620/635 S-65
 FL5" S-90
 FL6" ISL150
 SU-SUF ISL300
 S-45/46 IS300





FL620/635 S-65
 FL5" S-90
 FL6" ISL150
 SU-SUF ISL300
 S-45/46 IS300

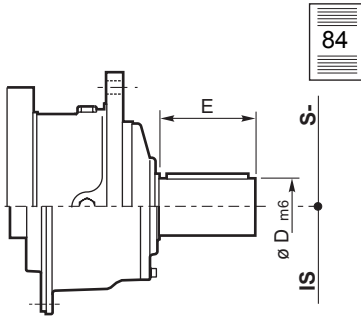


65.105
 48.82
 45.70



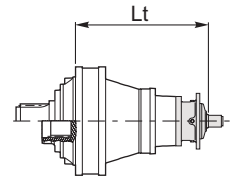

S400

S-45/46, S-65, S-90, ISL150, ISL300, IS300

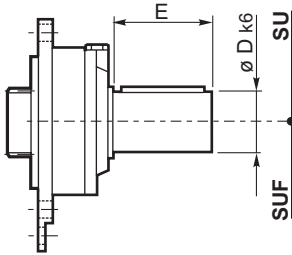


84

	S-45CR1	S-46C1	S-65CR1	S-90CR1	ISL150	ISL300	IS300
D m6	65	65	80	90	90	90	100
E	105	105	130	170	130	130	210
Lt							
SL4001			460.5	466.5	338	338	446
SL4002			604.5		482.5	482.5	
SL4003	600	641	638.5				
SL4004	600	641					

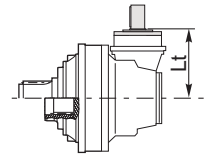
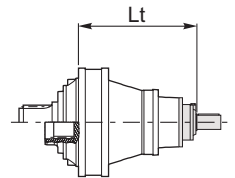


SU-SUF



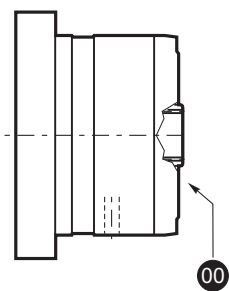
85

	SU/SUF.1	SU/SUF.2	SU/SUF.3
D k6	28	40	48
E	50	58	82
Lt			
SL4003	533	533	533
SL4004	597	597	597
SC4003	317-350*	317-350*	317-350*
SC4004	286-280*	286-280*	286-280*



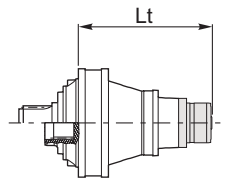
* → 27

FL5", FL6"



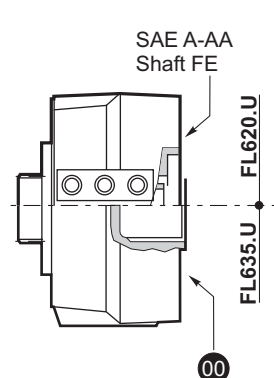
87

	FL250.4C FL250.6C	FL350.6C FL350.8C	FL450.6C FL450.8C	FL650.10C FL650.12C FL650.14C	FL750.10C FL750.12C FL750.14C	FL960.12C FL960.14C FL960.16C FL960.18C
Lt						
SL4002	491.5	491.5	491.5	505	505	519
SL4003	577.5	577.5	577.5	591	591	605
SL4004	630.5	630.5	630.5	644	644	
SC4003	408.5-441.5*	408.5-441.5*	408.5-441.5*	422-455*	422-455*	
SC4004	377.5-280*	377.5-280*	377.5-280*	391-293.5*	391-293.5*	



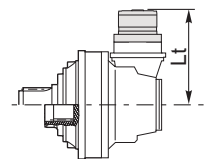
* → 27

FL620/635

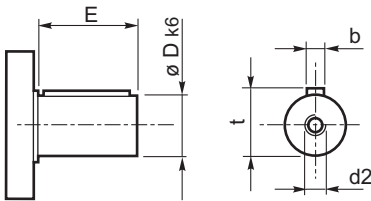


88

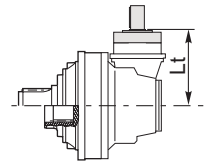
	FL620.U	FL635.U
Lt		
SL4003	577.5	564.5
SL4004	641.5	628.5
SC4003	361.5-394.5*	348.5-381.5
SC4004	330.5-324*	317.5-311.5*



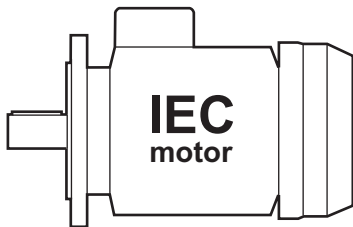
65.105, 48.82, 45.70



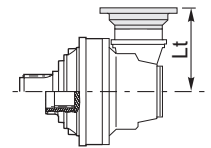
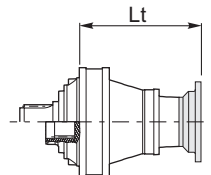
	65.105	48.82	45.70
D k6	65 m6	48	45
E	105	82	70
b	18	14	14
t	69	51.5	48.5
d2	M20x42	M10x22	M10x22
	Lt		
SC4002	376		
SC4003		317	307
SC4004		280	



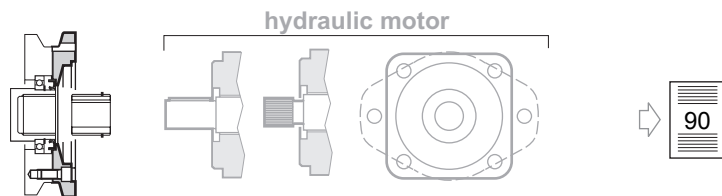
PAM IEC



	IEC80-90	IEC100-112	IEC132	IEC160	IEC180	IEC200	IEC225
	Lt						
SL4003				579	579	609	639
SL4004	564	565	632	663	663	673	703
SC4003				383-416*	383-416*	394-427*	424-457*
SC4004		254-248*	321-315*	352-346*	352-346*	363-357*	

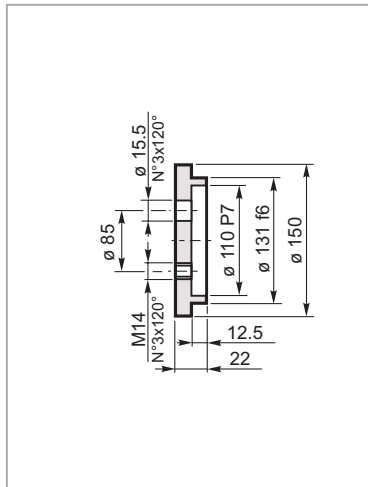


SAE J 744C, NEMA Adaptors



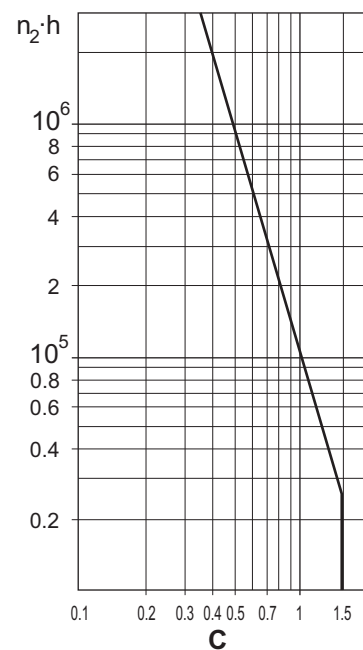
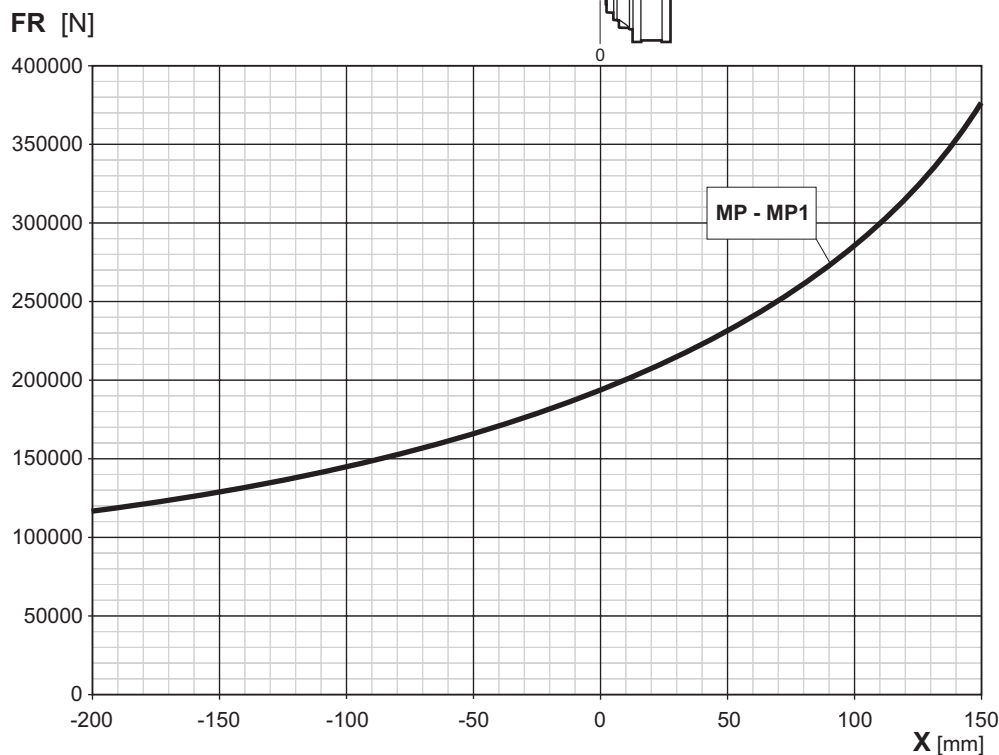
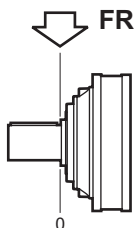
S400

RDF 520

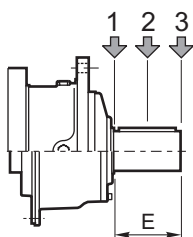


Mat. C40 UNI EN 10083
Code: 37226300000

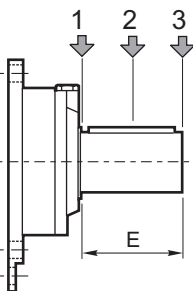
Carichi radiali sugli alberi uscita
Radial loads on output shafts



Carichi radiali sugli alberi entrata
Radial loads on input shafts



Type	E	Fr [N]					
		$n_1 \cdot h = 10^7$			$n_1 \cdot h = 10^8$		
		1	2	3	1	2	3
S-45CR1	105	10000	6000	4000	5000	3000	2000
S-46C1	105	14000	8800	6400	7000	4400	3200
S-65CR1	130	23800	15500	9600	11900	7800	4800
S-90CR1	170	29700	17000	10000	14800	8500	5000
ISL150	130	7631	4302	2995	3824	2156	1501
ISL300	130	7631	4302	2995	3824	2156	1501
IS300	210	48814	33068	22914	24465	16573	11484



Type	E	Fr [N]					
		$n_1 \cdot h = 10^7$			$n_1 \cdot h = 10^8$		
		1	2	3	1	2	3
SU1/SUF1	50	3000	2000	1500	1400	1000	700
SU2/SUF2	58	3000	2000	1500	1400	1000	700
SU3/SUF3	82	3000	1700	1200	1400	800	600