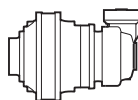


i _{eff}	n ₁ [rpm]									T _{2MAX} [Nm]	P _T [kW]
	1500			1000			500				
	n ₂ [rpm]	T ₂ [Nm]	P ₂ [kW]	n ₂ [rpm]	T ₂ [Nm]	P ₂ [kW]	n ₂ [rpm]	T ₂ [Nm]	P ₂ [kW]		
SL3001											
4.04	371	14488	563	248	16362	424	124	20143	261	76000	
4.50	333	14707	513	222	16609	387	111	20448	238	74000	
5.12	293	15112	464	195	17067	349	98	21011	215	59000	
6.00	250	15521	406	167	17528	306	83	20709	181	54000	
7.36	204	13360	285	136	13696	195	68	14291	102	36000	
SL3002											
15.96	94	21760	214	63	24574	161	31.3	30255	99	76000	
17.86	84	22471	198	56	25378	149	28.0	31244	92	76000	
19.89	75	22969	181	50	25940	137	25.1	31224	82	74000	
22.77	66	23920	165	43.9	27014	124	22.0	31484	72	74000	
24.24	62	23751	154	41.3	26823	116	20.6	32776	71	76000	
27.00	56	25174	146	37.0	28430	110	18.5	31814	62	74000	38
30.72	48.8	23601	121	32.6	24195	82	16.3	25246	43.0	59000	
33.75	44.4	25273	118	29.6	25910	80	14.8	27035	41.9	58500	
38.40	39.1	23926	98	26.0	24529	67	13.0	25594	34.9	59000	
45.00	33.3	21906	76	22.2	22458	52	11.1	23433	27.3	54000	
SL3003											
55.85	26.9	31687	89	17.9	33061	62	9.0	34559	32.4	76000	
62.50	24.0	32472	82	16.0	33290	56	8.0	35151	29.4	76000	
71.55	21.0	32743	72	14.0	33568	49.1	7.0	35878	26.3	76000	
79.79	18.8	32963	65	12.5	33793	44.4	6.3	36474	23.9	76000	
93.57	16.0	33286	56	10.7	34125	38.2	5.3	37364	20.9	76000	
105.0	14.3	33522	50	9.5	34366	34.3	4.8	38019	19.0	76000	25
107.1	14.0	33564	49.2	9.3	34409	33.6	4.7	38137	18.6	76000	
122.7	12.2	33844	43.3	8.2	35051	29.9	4.1	38925	16.6	76000	
145.4	10.3	34199	36.9	6.9	35966	25.9	3.4	39942	14.4	76000	
162.0	9.3	33196	32.2	6.2	34812	22.5	3.1	38660	12.5	74000	
SL3004											
172.0	8.7	34697	31.7	5.8	36891	22.5	2.9	40969	12.5	76000	
195.5	7.7	35374	28.4	5.1	37611	20.1	2.6	41769	11.2	76000	
230.7	6.5	36271	24.7	4.3	38565	17.5	2.2	42828	9.7	76000	
261.3	5.7	36961	22.2	3.8	39299	15.7	1.9	42181	8.5	76000	
288.8	5.2	37524	20.4	3.5	39897	14.5	1.7	44308	8.0	76000	
330.0	4.5	38289	18.2	3.0	40711	12.9	1.5	45211	7.2	76000	
369.9	4.1	38956	16.5	2.7	41420	11.7	1.4	45999	6.5	76000	
414.6	3.6	39634	15.0	2.4	42141	10.6	1.2	46799	5.9	76000	
463.9	3.2	40314	13.7	2.2	42864	9.7	1.1	47602	5.4	76000	
518.7	2.9	41001	12.4	1.9	43594	8.8	0.96	48413	4.9	76000	
578.5	2.6	41682	11.3	1.7	44319	8.0	0.86	49218	4.5	76000	
647.3	2.3	42397	10.3	1.5	45079	7.3	0.77	50062	4.0	76000	17
741.0	2.0	43273	9.2	1.3	46010	6.5	0.67	51096	3.6	76000	
776.8	1.9	43583	8.8	1.3	46339	6.2	0.64	51462	3.5	76000	
889.2	1.7	44483	7.9	1.1	47297	5.6	0.56	52525	3.1	76000	
990.5	1.5	43056	6.8	1.0	45779	4.8	0.50	50839	2.7	74000	
1175	1.3	44180	5.9	0.85	46974	4.2	0.43	52166	2.3	74000	
1205	1.2	34413	4.5	0.83	36438	3.2	0.41	40465	1.8	59000	
1392	1.1	35170	4.0	0.72	37239	2.8	0.36	41356	1.6	59000	
1670	0.90	36154	3.4	0.60	38281	2.4	0.30	42512	1.3	59000	
1733	0.87	21604	2.0	0.58	22970	1.4	0.29	25509	0.8	36000	
1958	0.77	32996	2.6	0.51	35083	1.9	0.26	38961	1.0	54000	
2401	0.62	22696	1.5	0.42	24132	1.1	0.21	26799	0.6	36000	

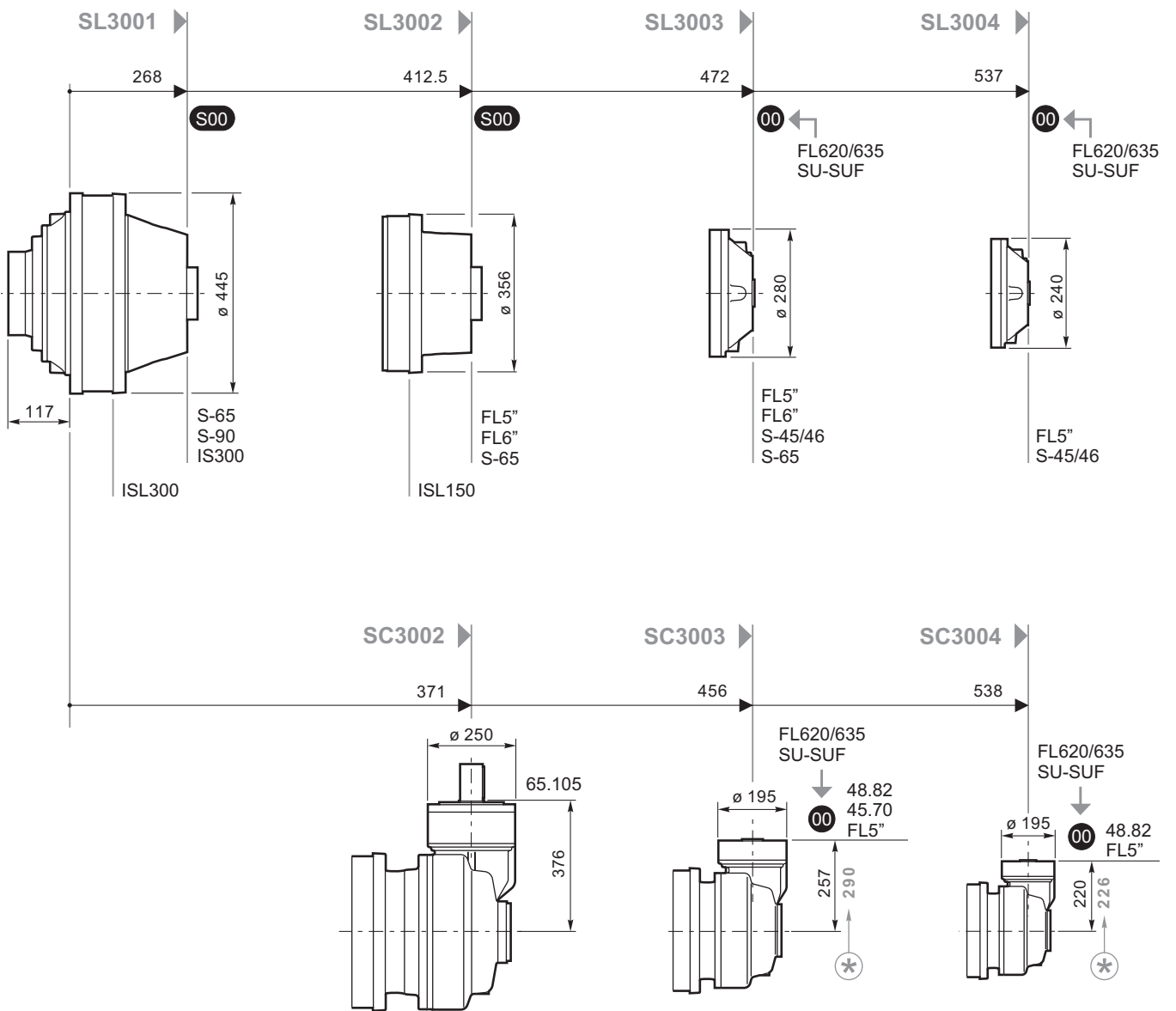
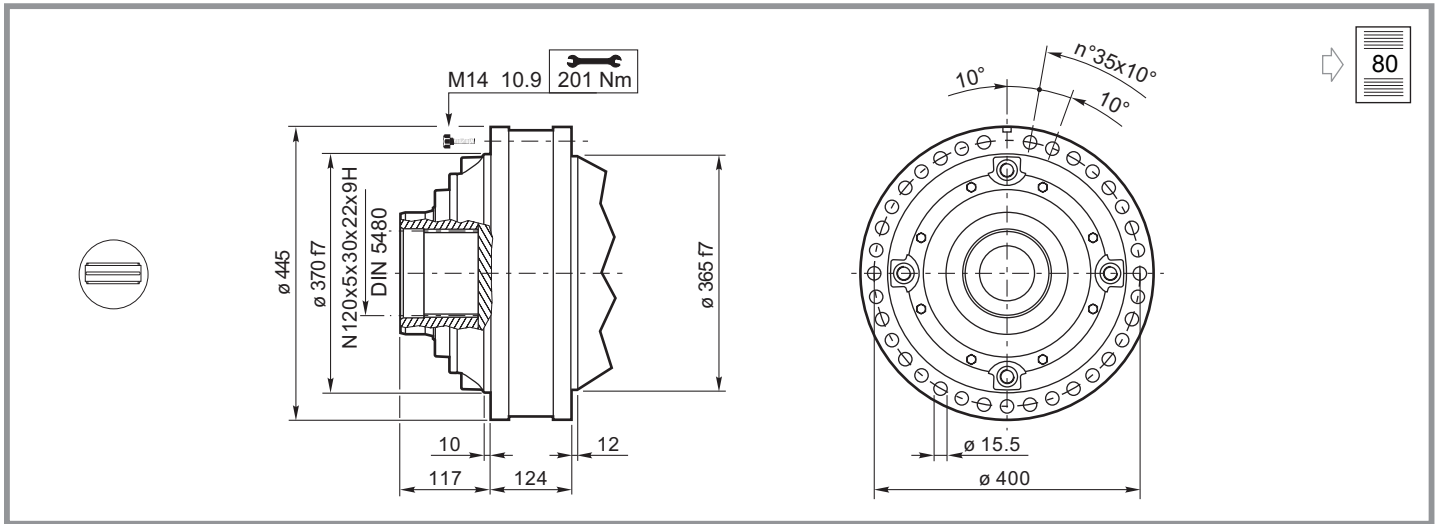
10000
HOURS LIFE



S300

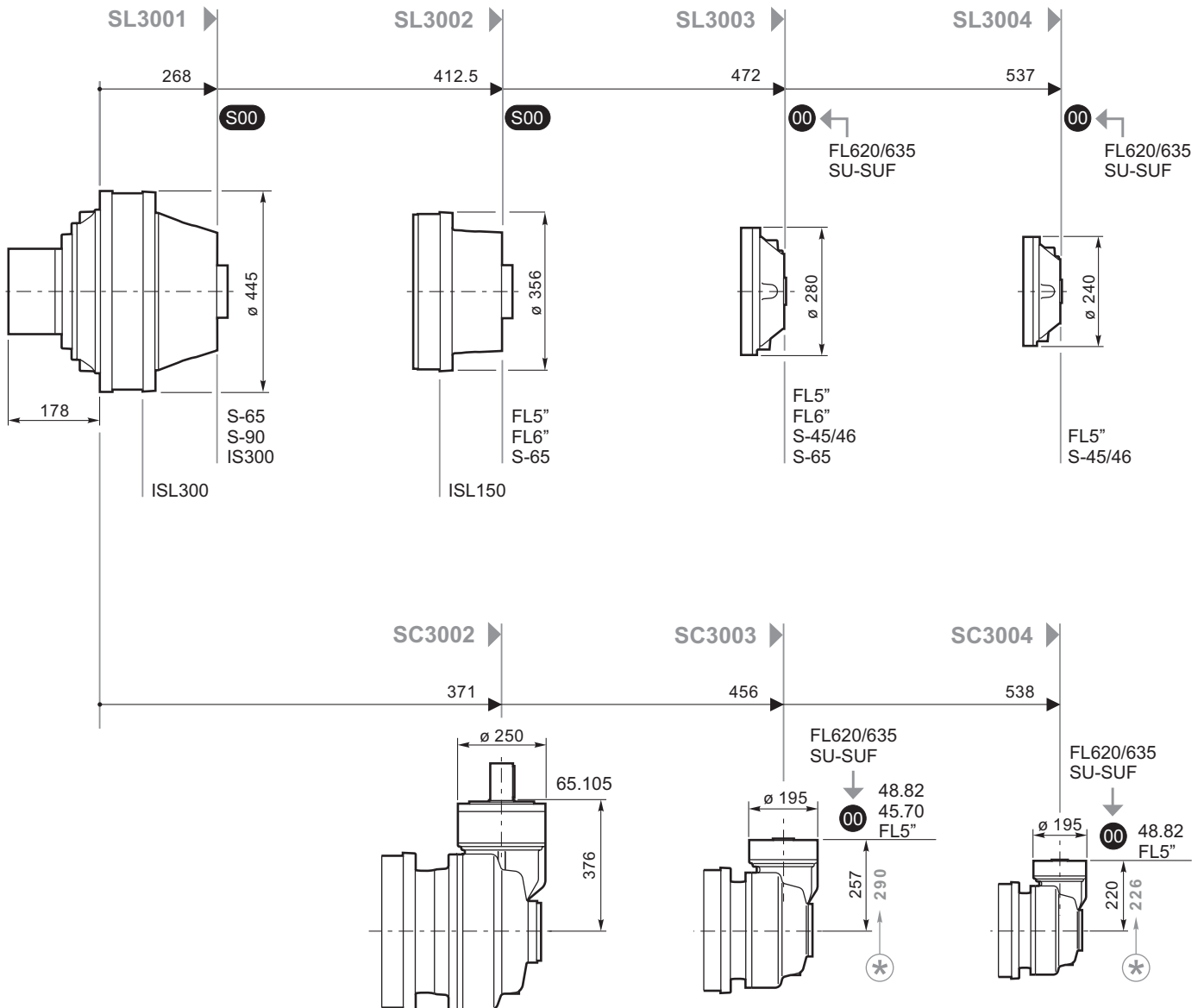
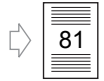
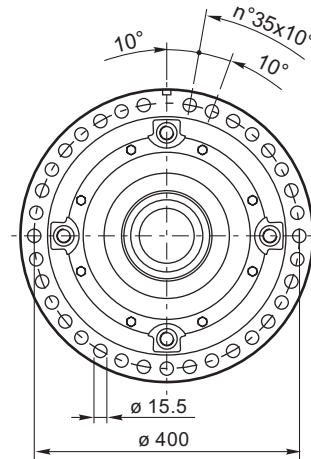
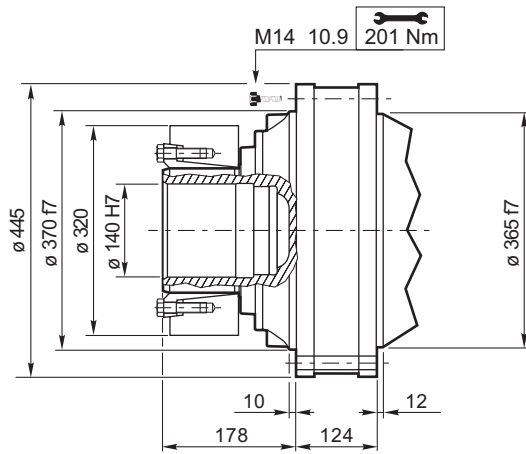
i _{eff}	n ₁ [rpm]									T _{2MAX} [Nm]	P _T [kW]	
	1500			1000			500					
	n ₂ [rpm]	T ₂ [Nm]	P ₂ [kW]	n ₂ [rpm]	T ₂ [Nm]	P ₂ [kW]	n ₂ [rpm]	T ₂ [Nm]	P ₂ [kW]			
SC3002												
10.26	146	8369	128	97	9452	96	48.7	11637	59	50300	21	
11.43	131	9322	128	87	10528	96	43.7	12962	59	56000		
13.01	115	10607	128	77	11979	96	38.4	14747	59	59000		
15.24	98	12430	128	66	14037	96	32.8	17282	59	54000		
17.52	86	15311	137	57	17291	103	28.5	21288	64	54000		
20.52	73	11963	92	48.7	13510	69	24.4	16633	42.4	57600		
21.49	70	14267	104	46.5	14627	71	23.3	15262	37.2	36000		
SC3003												
43.88*	34.2	17101	61	22.8	19313	46.1	11.4	23777	28.4	76000	18	
49.11*	30.5	19136	61	20.4	21611	46.1	10.2	26606	28.4	76000		
56.22*	26.7	21906	61	17.8	24740	46.1	8.9	30459	28.4	76000		
62.62*	24.0	24401	61	16.0	27557	46.1	8.0	33499	28.0	74000		
74.25*	20.2	28934	61	13.5	32442	45.8	6.7	34357	24.2	74000		
83.33*	18.0	24142	45.5	12.0	24750	31.1	6.0	25825	16.2	76000		
92.81*	16.2	26891	45.5	10.8	27568	31.1	5.4	28766	16.2	74000		
99.00*	15.2	22992	36.5	10.1	23571	24.9	5.1	24808	13.1	54000		
107.5	14.0	24154	35.3	9.3	26128	25.4	4.7	28192	13.7	59000		
126.0	11.9	23334	29.1	7.9	23922	19.9	4.0	25730	10.7	54000		
134.4	11.2	25838	30.2	7.4	26488	20.6	3.7	29160	11.4	59000		
SC3004												
167.6	9.0	34559	32.4	6.0	36745	23.0	3.0	40806	12.8	76000		13
187.5	8.0	35151	29.4	5.3	37375	20.9	2.7	41506	11.6	76000		
207.3	7.2	35689	27.0	4.8	37947	19.2	2.4	42141	10.6	76000		
232.0	6.5	36301	24.6	4.3	38597	17.4	2.2	42864	9.7	76000		
254.5	5.9	36815	22.7	3.9	39143	16.1	2.0	42113	8.7	76000		
287.2	5.2	37494	20.5	3.5	39866	14.5	1.7	44272	8.1	76000		
321.4	4.7	38137	18.6	3.1	40549	13.2	1.6	45032	7.3	76000		
368.0	4.1	38925	16.6	2.7	41387	11.8	1.4	45962	6.5	76000		
412.5*	3.6	39604	15.1	2.4	42109	10.7	1.2	46763	5.9	76000		
472.2*	3.2	40422	13.4	2.1	42979	9.5	1.1	47730	5.3	76000		
495.0*	3.0	40711	12.9	2.0	43286	9.2	1.0	48071	5.1	76000		
566.7*	2.6	41552	11.5	1.8	44181	8.2	0.88	49064	4.5	76000		
631.2*	2.4	40219	10.0	1.6	42763	7.1	0.79	47489	3.9	74000		
718.1*	2.1	31820	7.0	1.4	33833	4.9	0.70	37573	2.7	59000		
768.2*	2.0	32146	6.6	1.3	34179	4.7	0.65	37799	2.6	59000		
887.0*	1.7	32853	5.8	1.1	34931	4.1	0.56	38631	2.3	59000		
1040*	1.4	29984	4.5	0.96	31880	3.2	0.48	35404	1.8	54000		
1064*	1.4	33772	5.0	0.94	35908	3.5	0.47	39711	2.0	59000		
1247*	1.2	30822	3.9	0.80	32772	2.8	0.40	36394	1.5	54000		
1530*	0.98	21201	2.2	0.65	22542	1.5	0.33	25034	0.86	36000		



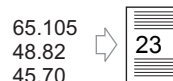


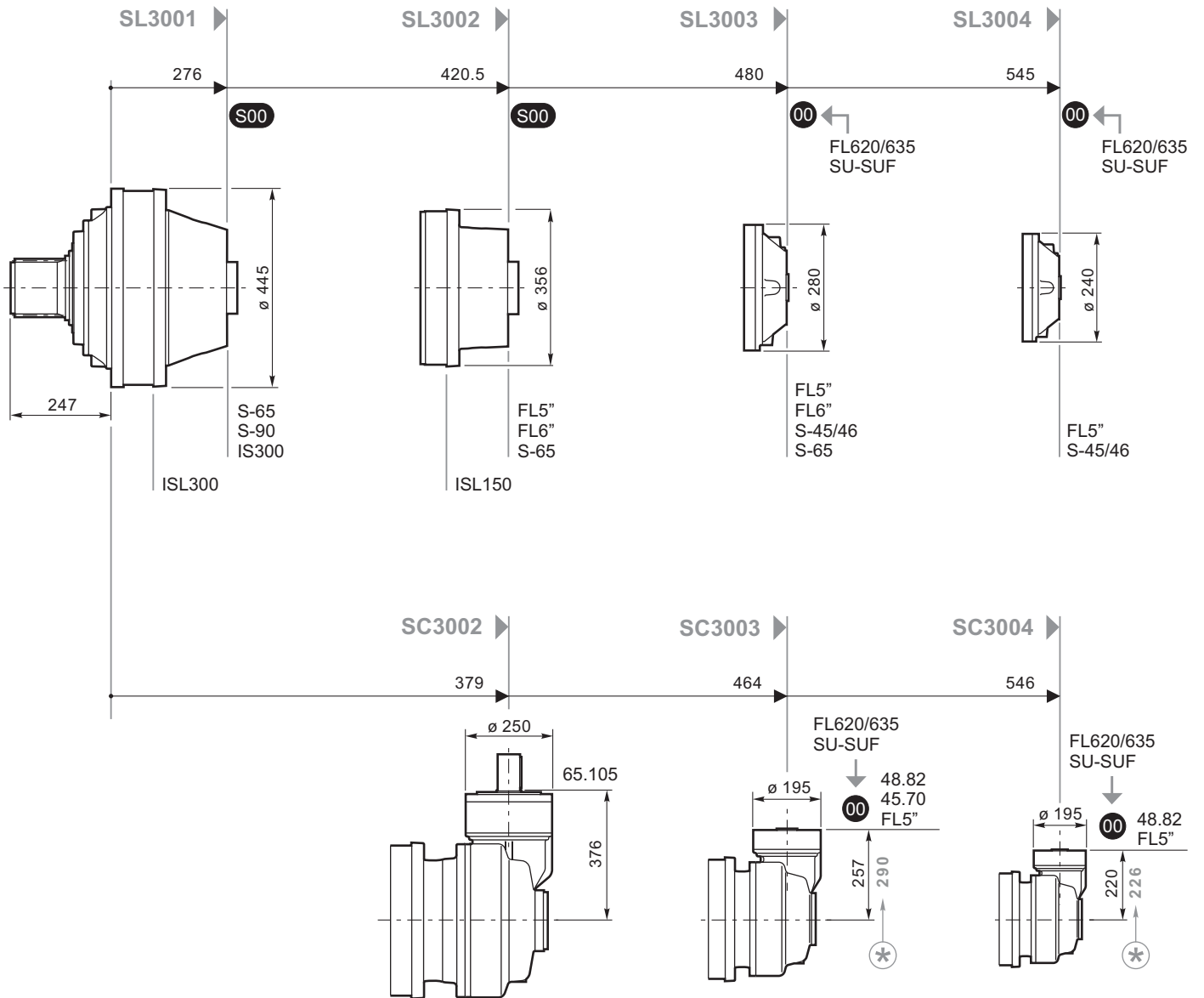
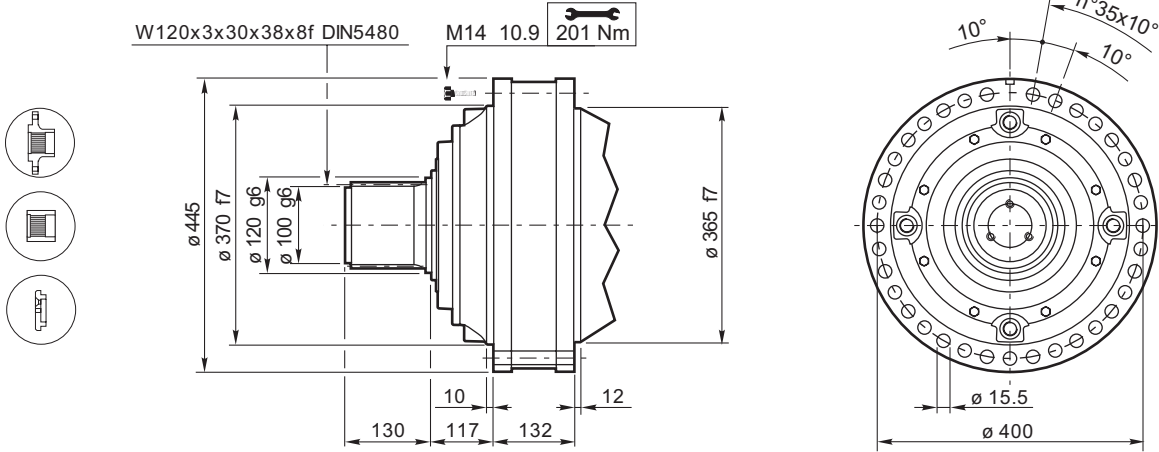
FL620/635 SU-SUF
 FL5" FL6" S-45/46 S-65
 S-65 S-90 ISL150 ISL300 IS300





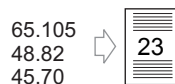
FL620/635 S-65
 FL5" S-90
 FL6" ISL150
 SU-SUF ISL300
 S-45/46 IS300

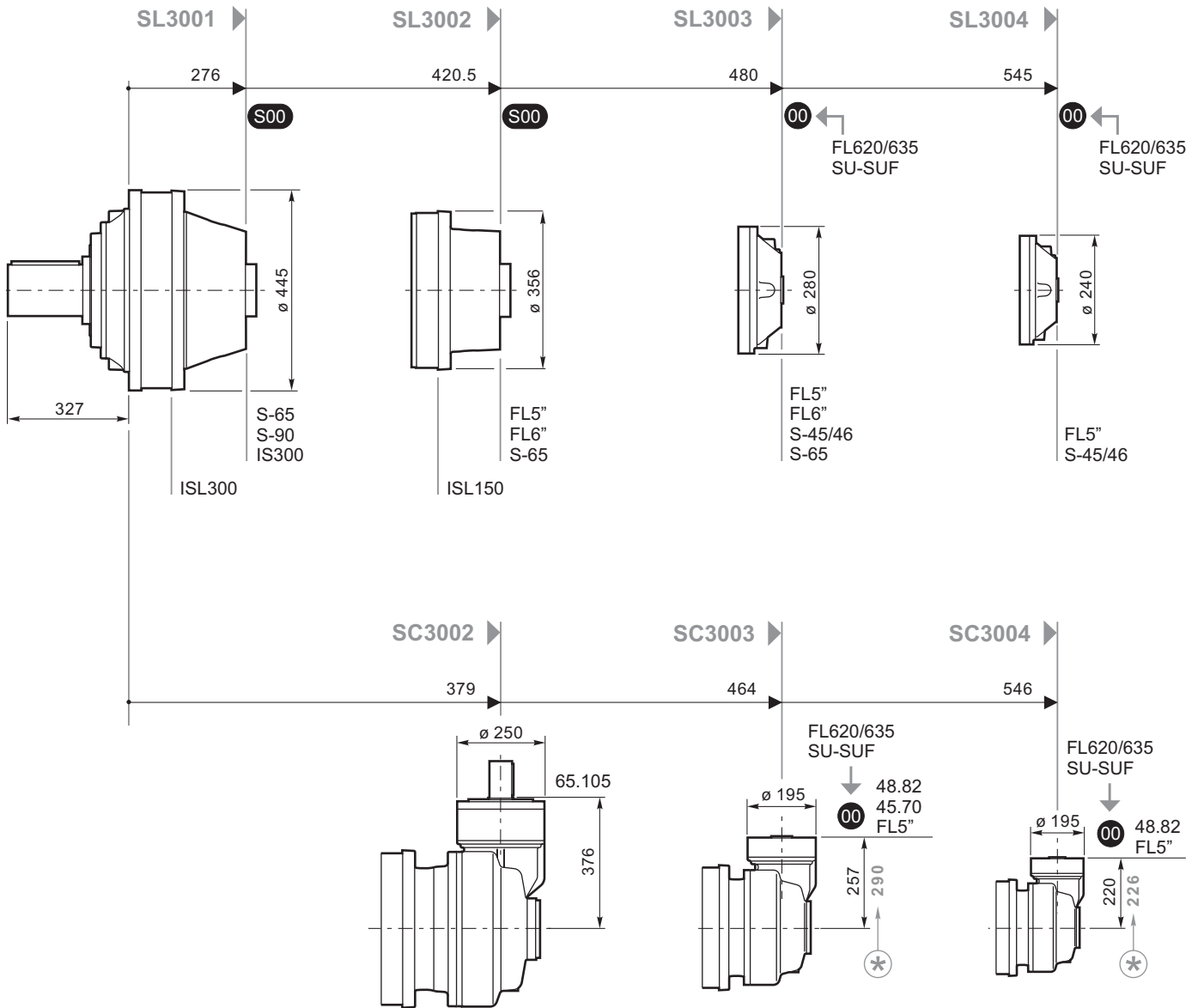
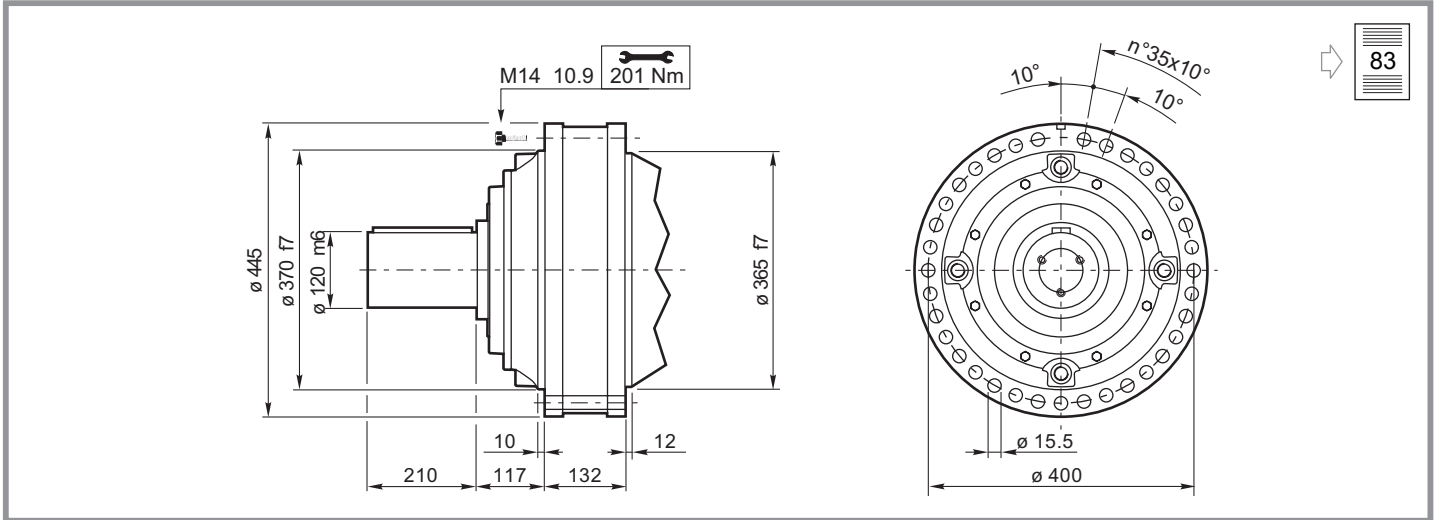




FL620/635 S-65
FL5" S-90
FL6" ISL150
SU-SUF ISL300
S-45/46 IS300

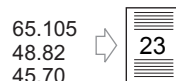
→ 22





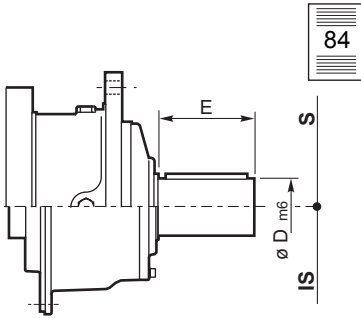
FL620/635 S-65
FL5" S-90
FL6" ISL150
SU-SUF ISL300
S-45/46 IS300

22



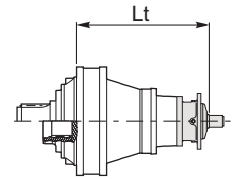
S300

S-45/46, S-65, S-90, ISL150, ISL300, IS300

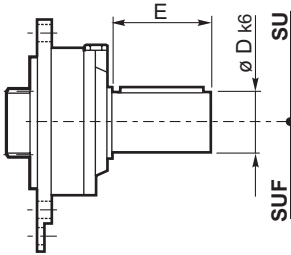


84

	S-45CR1	S-46C1	S-65CR1	S-90CR1	ISL150	ISL300	IS300
D m6	65	65	80	90	90	90	100
E	105	105	130	170	130	130	210
Lt (FE - FS)							
SL3001			460.5	466.5	338	338	446
SL3002			604.5		482.5	482.5	
SL3003	600	641	638.5				
SL3004	600	641					
Lt (MP - MP1)							
SL3001			468.5	474.5	346	346	454
SL3002			612.5		490.5	490.5	
SL3003	608	649	646.5				
SL3004	608	649					

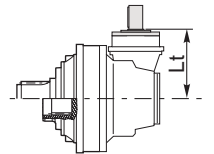
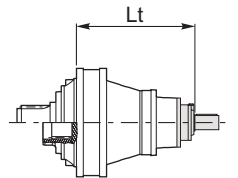


SU-SUF



85

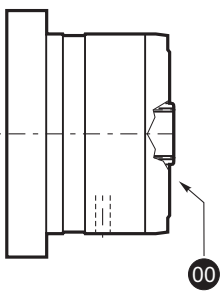
	SU/SUF.1	SU/SUF.2	SU/SUF.3
D k6	28	40	48
E	50	58	82
Lt (FE - FS)			
SL3003	533	533	533
SL3004	597	597	597
Lt (MP - MP1)			
SL3003	541	541	541
SL3004	605	605	605
Lt			
SC3003	317-350*	317-350*	317-350*
SC3004	286-280*	286-280*	286-280*



*

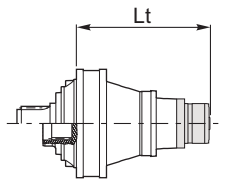
17

FL5", FL6"

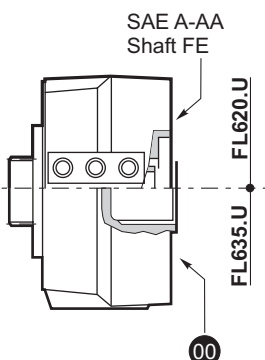


87

	FL250.4C FL250.6C	FL350.6C FL350.8C	FL450.6C FL450.8C	FL650.10C FL650.12C FL650.14C	FL750.10C FL750.12C FL750.14C	FL960.12C FL960.14C FL960.16C FL960.18C
Lt (FE - FS)						
SL3002	491.5	491.5	491.5	505	505	519
SL3003	577.5	577.5	577.5	591	591	605
SL3004	630.5	630.5	630.5	644	644	
Lt (MP - MP1)						
SL3002	499.5	499.5	499.5	513	513	527
SL3003	585.5	585.5	585.5	599	599	613
SL3004	638.5	638.5	638.5	652	652	
Lt						
SC3003	408.5-441.5*	408.5-441.5*	408.5-441.5*	422-455*	422-455*	
SC3004	377.5-280*	377.5-280*	377.5-280*	391-293.5*	391-293.5*	



FL620/635

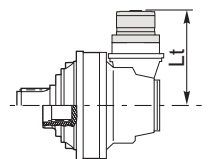


88

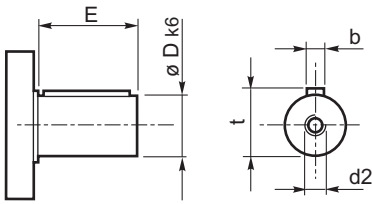
	FL620.U	FL635.U
Lt (FE - FS)		
SL3003	577.5	564.5
SL3004	641.5	628.5
Lt (MP - MP1)		
SL3003	585.5	572.5
SL3004	649.5	636.5
Lt		
SC3003	361.5-394.5*	348.5-381.5
SC3004	330.5-324*	317.5-311.5*

*

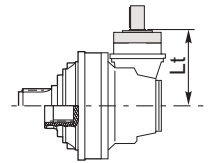
17



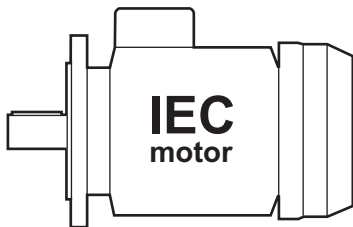
65.105, 48.82, 45.70



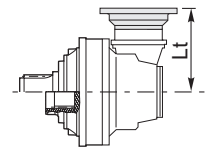
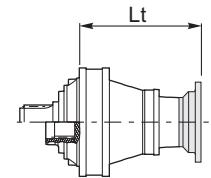
	65.105	48.82	45.70
D k6	65 m6	48	45
E	105	82	70
b	18	14	14
t	69	51.5	48.5
d2	M20x42	M10x22	M10x22
Lt			
SC3002	376		
SC3003		317	307
SC3004		280	



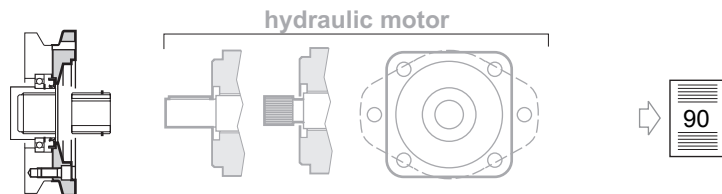
PAM IEC



	IEC80-90	IEC100-112	IEC132	IEC160	IEC180	IEC200	IEC225
Lt (FE - FS)							
SL3002						487.5	517.5
SL3003				579	579	609	639
SL3004	564	565	632	663	663	673	703
Lt (MP - MP1)							
SL3002						495,5	525,5
SL3003				587	587	617	647
SL3004	572	573	640	671	671	681	711
Lt							
SC3003			352-365*	383-416*	383-416*	394-427*	424-457*
SC3004	253-247*	254-248*	321-315*	352-346*	352-346*		

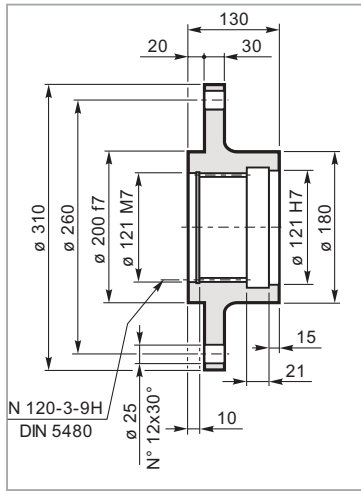


SAE J 744C, NEMA Adaptors



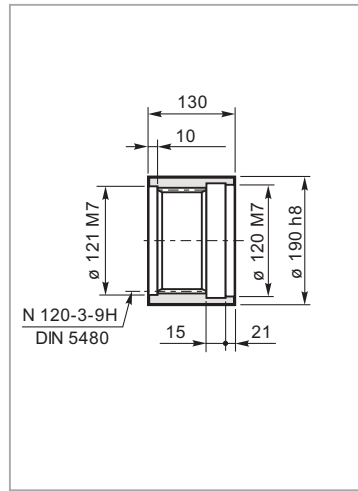
S300

FR 400



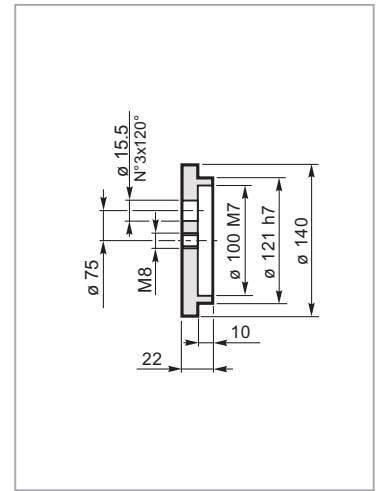
Mat. C40 UNI EN 10083
Code: 34705012800

MS 400



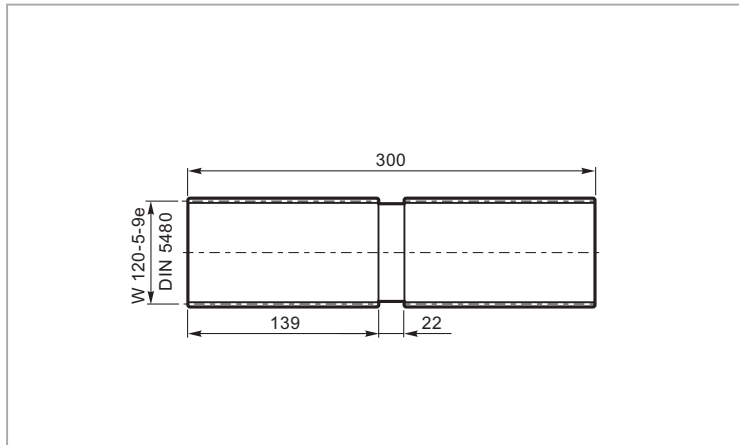
Mat. 39NiCrMo3 UNI EN 10083
Code: 39104730800

RDF S300



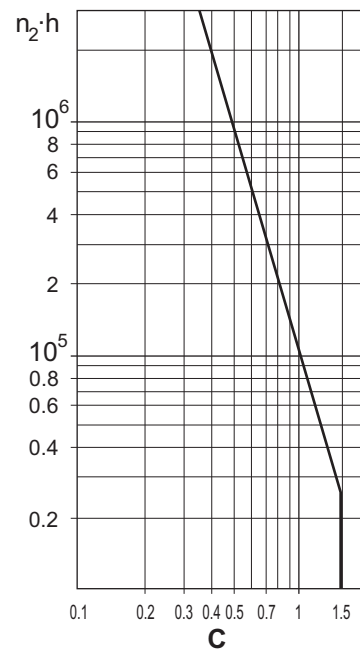
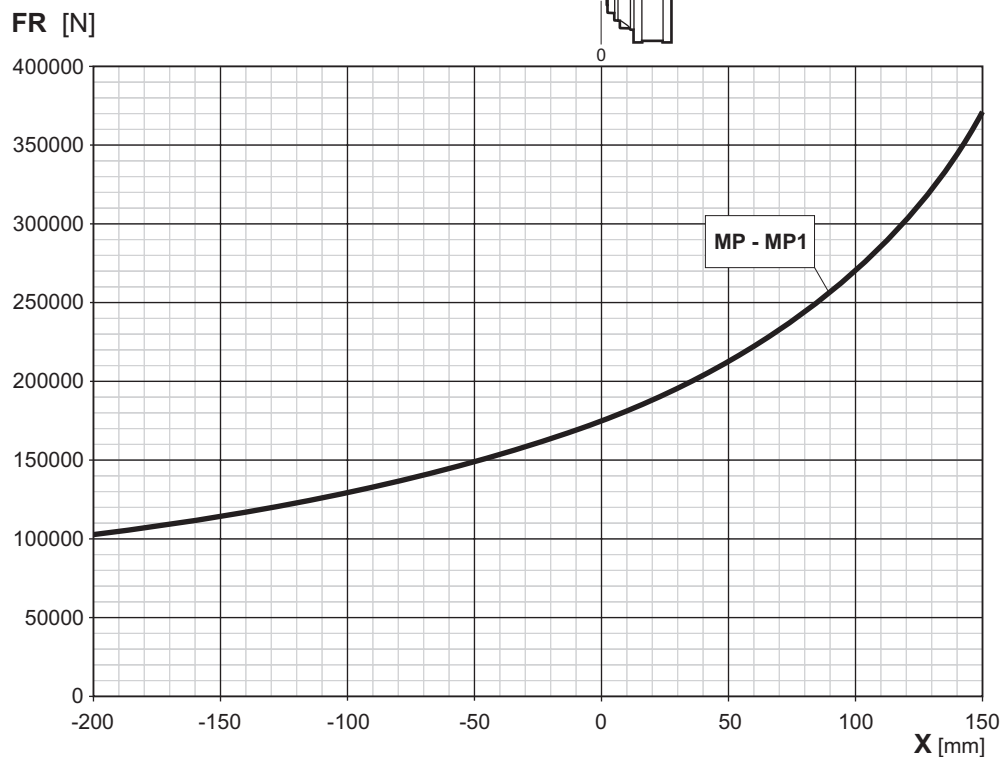
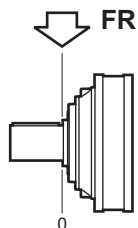
Mat. C40 UNI EN 10083
Code: 9001844

BS 400

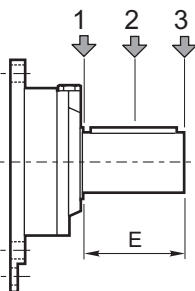
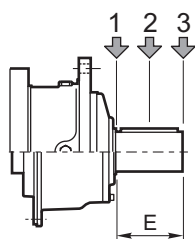


Mat. 39NiCrMo3 UNI EN 10083
Code: 39127430600

Carichi radiali sugli alberi uscita
Radial loads on output shafts



Carichi radiali sugli alberi entrata
Radial loads on input shafts



Type	E	Fr [N]					
		$n_1 \cdot h = 10^7$			$n_1 \cdot h = 10^8$		
		1	2	3	1	2	3
S-45CR1	105	10000	6000	4000	5000	3000	2000
S-46C1	105	14000	8800	6400	7000	4400	3200
S-65CR1	130	23800	15500	9600	11900	7800	4800
S-90CR1	170	29700	17000	10000	14800	8500	5000
ISL150	130	7631	4302	2995	3824	2156	1501
ISL300	130	7631	4302	2995	3824	2156	1501
IS300	210	48814	33068	22914	24465	16573	11484

Type	E	Fr [N]					
		$n_1 \cdot h = 10^7$			$n_1 \cdot h = 10^8$		
		1	2	3	1	2	3
SU1/SUF1	50	3000	2000	1500	1400	1000	700
SU2/SUF2	58	3000	2000	1500	1400	1000	700
SU3/SUF3	82	3000	1700	1200	1400	800	600