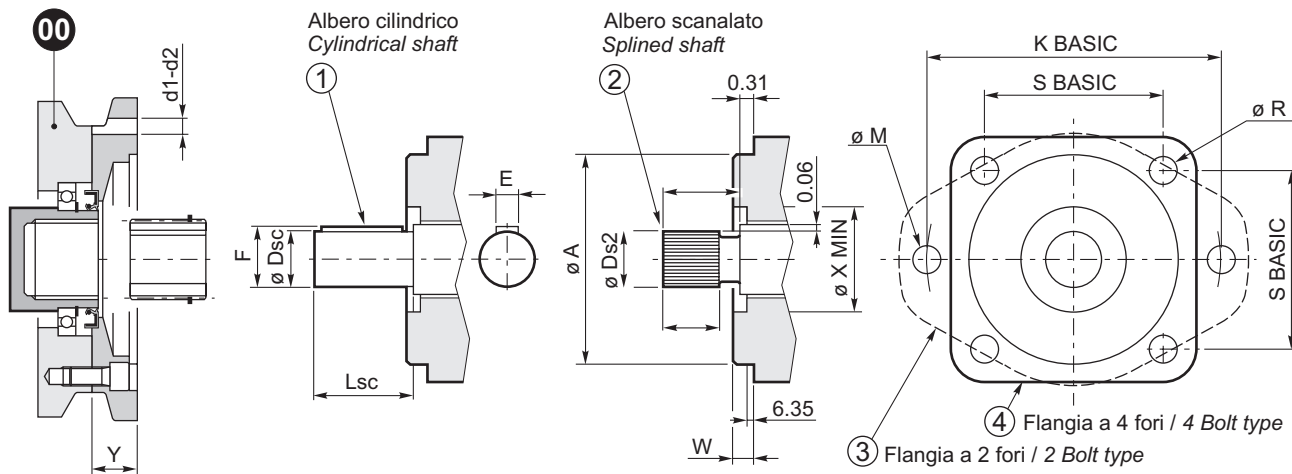


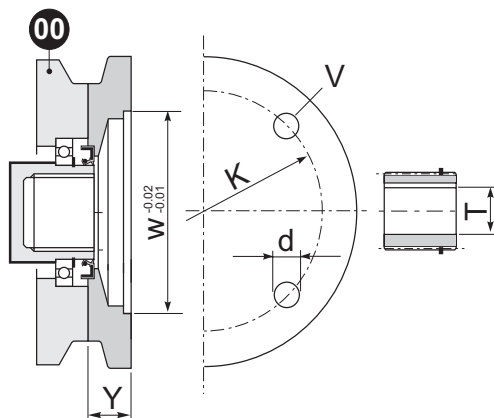
FLANGIATURA MOTORI SAE J 744C - NEMA

ADAPTORS FOR MOTORS SAE J 744C - NEMA



SAE	Ø A	W	Ø X MIN.	K basic	Ø M	S basic	Ø R	ALBERO SCANALATO SPLINED SHAFT					ALBERO CILINDRICO CYLINDRICAL SHAFT			
								Nr.Denti No.Teeth	30° D.P.	DS2	LS	LA MIN.	Ø DSC	LSC	F	E
A	82.55	6.35	—	106.4	13	75.22	—	9	16/32	15.88	24	7.6	15.88	24	17.6	4
B	101.6	9.65	50.8	146	14.3	89.8	14.3	13	16/32	22.22	33.3	10.2	22.22	33.3	24.95	6.35
B-B	101.6	9.65	50.8	146	14.3	89.8	14.3	15	16/32	25.4	38.1	12.7	25.4	38.1	28.1	6.35
C	127.0	12.7	63.5	181	17.5	114.5	14.3	14	12/24	31.75	47.6	15.2	31.75	47.6	35.2	7.8
C-C	127.0	12.7	63.5	181	17.5	114.5	14.3	17	12/24	38.1	54	17.8	38.1	54	42.25	9.525
D	152.4	12.7	70	228.6	20.6	161.6	20.6	13	8/16	44.45	66.67	20.3	44.45	66.67	49.3	11.1
E	165.1	15.87	70	317.5	27	224.5	20.6	13	8/16	44.45	66.67	20.3	44.45	66.67	49.3	11.1

SAE	Y	No. Bolt	CODICE DI ORDINAZIONE/ ORDERING CODE			CODICE DI ORDINAZIONE/ ORDERING CODE		
			Flangia con d1/ Flange with d1			Flangia con d2 / Flange with d2		
			d1 Metrico/Metric	Albero scanalato Splined shaft	Albero cilindrico Cylindrical shaft	d2 Pollici/ Inch	Albero scanalato Splined shaft	Albero cilindrico Cylindrical shaft
A	25	2 - 4	M10 T.U. 15	61125502680	61125500900	3/8 0.59 Min Full Thread	61147702680	61147700900
B	25	2 - 4	M12 T.U. 25	61125700580	61125700460	1/2 - 13 1.00 Min Full Thread	61143900580	61143900460
B-B	25	2 - 4	M12 T.U. 25	61125701940	61125700500	1/2 - 13 1.00 Min Full Thread	61143901940	61143900460
C	28	2	M16 T.U. 20	61101801480	61101800510	5/8-11 0.78 Min F.T.	61145301480	61145300510
		4	M14 T.U. 20			1/2-13 0.78 Min F.T.		
C-C	79	2	M16 T.U. 20	61101802540	61101801750	5/8-11 0.78 Min F.T.	61145302540	61145301750
		4	M14 T.U. 20			1/2-13 0.78 Min F.T.		
D	93	2 - 4	M18 T.U. 20	61103501930	61103501720	3/4 - 10 1.00 Min Full Thread	61147801930	61147801720
E	93	2 - 4	Æ 22 T.U. 30	61118201930	61118201720	Ø 0.875 1.11 Min	61118201930	61118201720



NEMA	FLANGE ATTACCO MOTORE INPUT FLANGE ADAPTER					MANICOTTO COUPLING		CODICE DI ORDINAZIONE ORDERING CODE
	W	V	d	K	Y	T		
Grandezza motore Motor size	W	V	d	K	Y	Diametro Diameter	Linguetta Key	
143/145 TD	9	4	0.55	10	1.18	0.875	0.187	61135501060
182/184 TC	8.5	4	0.55	7.25	1.18	1.125	0.25	61130800070
182/184 TD	9	4	0.55	10	1.18	1.25	0.25	61135502200
210 TD	9	4	0.55	10	1.18	1.375	0.312	61135502500
213/215 TC	8.5	4	0.55	7.25	1.81	1.375	0.312	61130802500

Dimensioni in pollici / Inch dimensions

Oltre alle flangiature riportate in tabella sono disponibili altri modelli a richiesta.
Most requested electric motor adapters are displayed. Other input flange and shaft adapters are available on request.