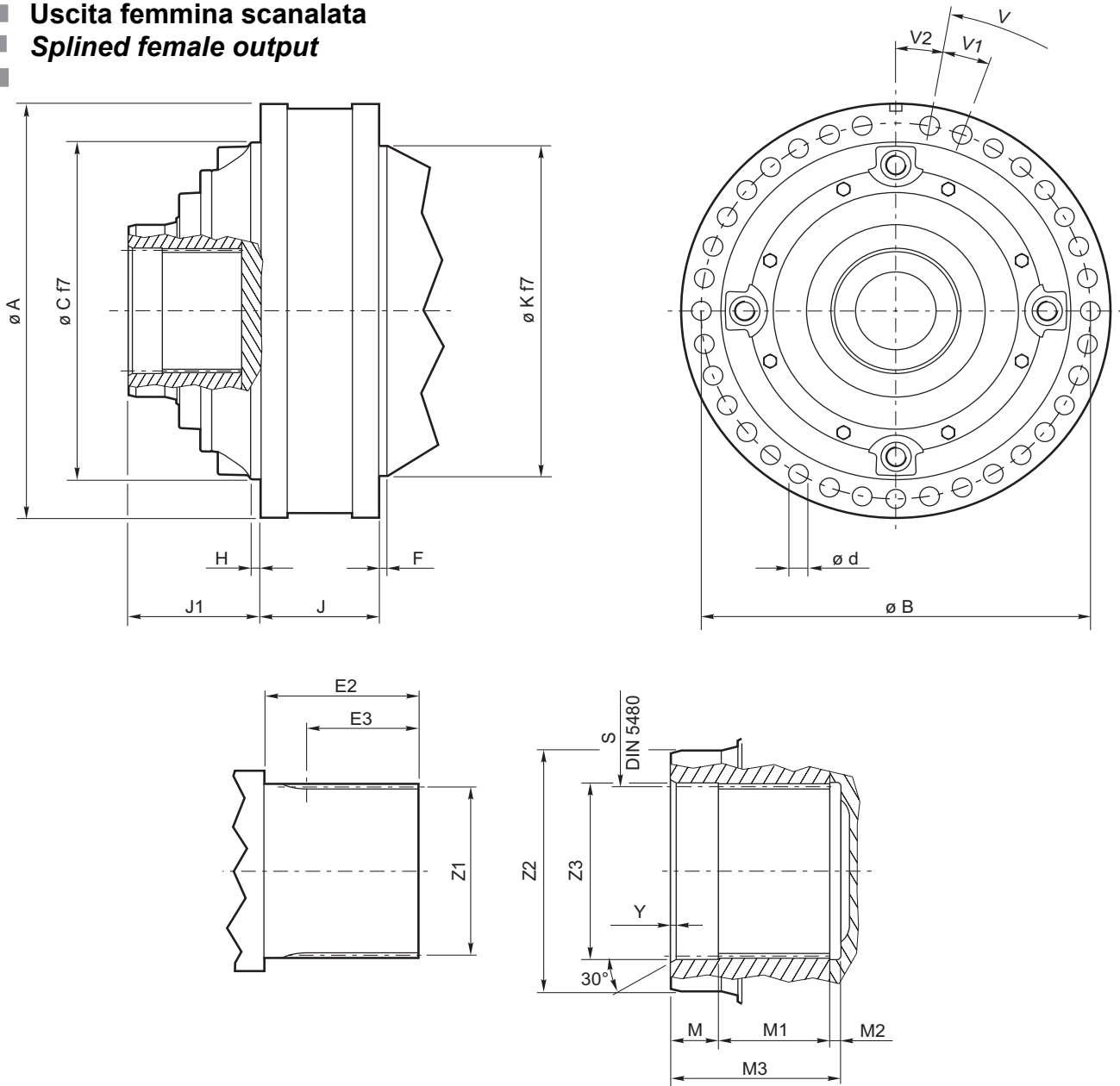


5. CONFIGURAZIONI USCITE - ENTRATE

5. OUTPUT-INPUT CONFIGURATIONS

FE Uscita femmina scanalata Splined female output



	A	B	C	d	E2	E3	F	H	J	J1	K	M	M1	M2	M3
S300	445	400	370	15.5	103	88	12	10	124	117	365	15	90	—	105
S400	445	400	370	15.5	105	90	12	10	124	140	365	15	90	10	115
S600	510	460	410	22	130	85	12	12	142	160	415	45	85	10	140
S850	565	510	460	26	150	105	10	11	156	174	450	45	105	10	160
S1200	635	575	520	26	165	120	15	12	175	205	520	45	120	15	180
S1800	710	650	595	26	175	130	16	14	185	213	595	45	130	15	190
S2500	810	735	665	33	190	140	15	12	195	227	665	50	140	15	205
S3500	885	810	740	33	220	170	14	14	235	260	740	50	170	17	237

	S	V	V1	V2	Y	Z1	Z2	Z3
S300	N120x5x30x22x9H	n°35x10°	10°	10°	1x45°	W120x5x30x22x8g	165	122
S400	N140x5x30x26x9H	n°35x10°	10°	10°	3x30°	W140x5x30x26x8g	185	142
S600	N150x5x30x28x9H	n°28x12.857°	12.857°	6.428°	5x30°	W150x5x30x28x8g	218	152
S850	N170x5x30x32x9H	n°28x12.857°	12.857°	6.428°	5x30°	W170x5x30x32x8g	235	172
S1200	N200x5x30x38x9H	n°32x11.25	11.25°	5.625°	5x30°	W200x5x30x38x8g	275	202
S1800	N210x5x30x40x9H	n°32x11.25	11.25°	5.625°	5x30°	W210x5x30x40x8g	297	212
S2500	N240x5x30x46x9H	n°32x11.25	11.25°	5.625°	5x30°	W240x5x30x46x8g	338	242
S3500	N280x8x30x34x9H	n°36x10°	10°	5°	5x30°	W280x8x30x34x8g	358	282