

Geared motors for Slewing Drives

The geared motors shown herebelow are specifically designed for slewing of turrets through pinion and slewing bearings. They are addressed to two different application sectors:

- 1) slewing of mini-excavators
- 2) slewing of light duty machines (access platforms, truck mounted cranes, etc.)

These units consist of motor, fail safe brake, planetary gearbox and output pinion.

The units having configuration 1 and 2 (axial piston motors) always have a special incorporated valve system: this must be integrated into the hydraulic circuit of the machine.

The units in configuration 3 and 4 (orbital motors) can be supplied on request with the valve system.

The hydraulic circuit is generally open type.

Geared motors for slewing of mini-excavators

Stag. n°	Type	Motor	Mass of the machine [tons.]	T2max. [Nm]	Max. motor speed [n°]	Motor displacem. [cm³]	Max. Press. Brake [bar]	Brake open. press [bar]	Ratios 1:
2	SDU21.1/2	MFB20	3,5	1200	2500	22	200	25 ÷ 50	18
1	SDU31/1	HPRM	6	2000	800 ÷ 200	130 ÷ 250	170	18 ÷ 20	5 ÷ 6
2	SDU31/2	MFB20	6	2000	2500	22	200	25 ÷ 50	18 ÷ 26
2	SDU41/2	MFB40	8	3700	2500	45,5	200	25 ÷ 40	14 ÷ 26
2	SDU65/2	MFB80	13	5600	2500	79	215	17 ÷ 50	20,65

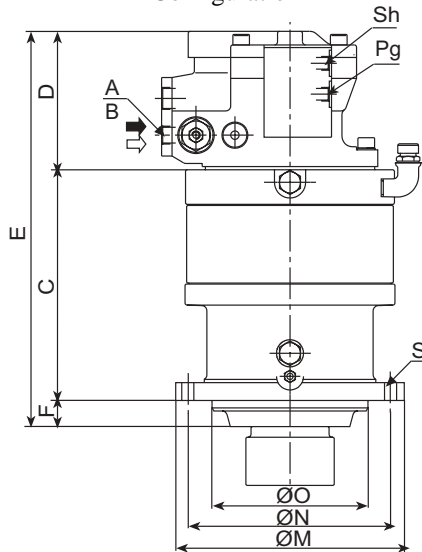
TABLE OF DIMENSIONS

Tipo	E	F	C	D	M	N	O	S	A	B	Dr	Pg	Sh	Config.
SDU21.1/2	347	17	201	129	Ø220	Ø195	Ø150f7	Ø13 n° 10 x 36°	3/8"⊠	3/8"⊠	1/4"⊠	1/4"⊠	1/4"⊠	1
SDU31/1	427*	26	260	141*	Ø220	Ø195	Ø150f7	Ø13 n° 10 x 36°	1/2"*	1/2"*				4
SDU31/2	352	25	223	129	Ø220	Ø195	Ø150f7	Ø14 n° 10 x 36°	3/8"⊠	3/8"⊠	1/4"⊠	1/4"⊠	1/4"⊠	1
SDU41/2	491,5	39	249,5	203	Ø272	Ø245	Ø175f7	Ø14 n° 10 x 36°	1/2"⊠	1/2"⊠	3/8"⊠	1/4"⊠	1/4"⊠	2
SDU65/2	591	39	293	248	Ø280	Ø250	Ø200f7	Ø16 n° 12 x 30°	3/4"⊠	3/4"⊠	3/8"⊠	1/4"⊠	1/4"⊠	2

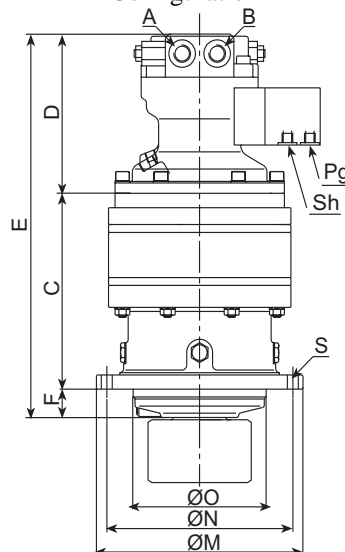
(•) G-type thread (⊠) JIS B2351 type thread

(*) dimension with motor max. displacement

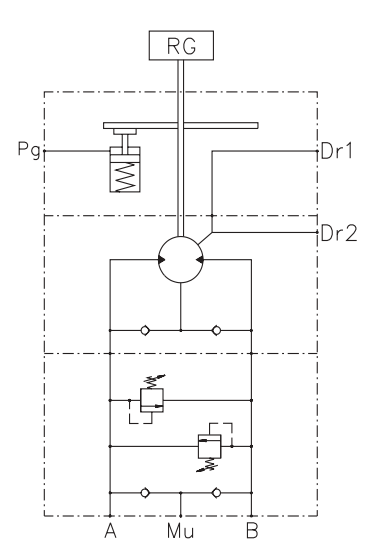
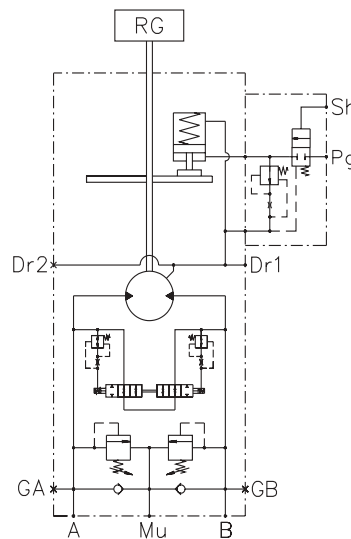
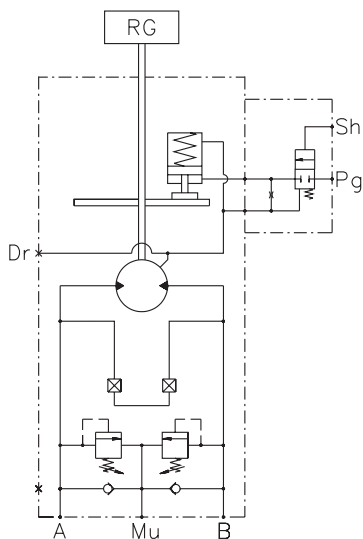
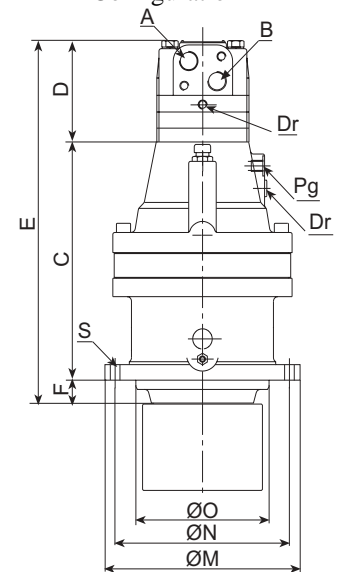
Configuration 1



Configuration 2



Configuration 4



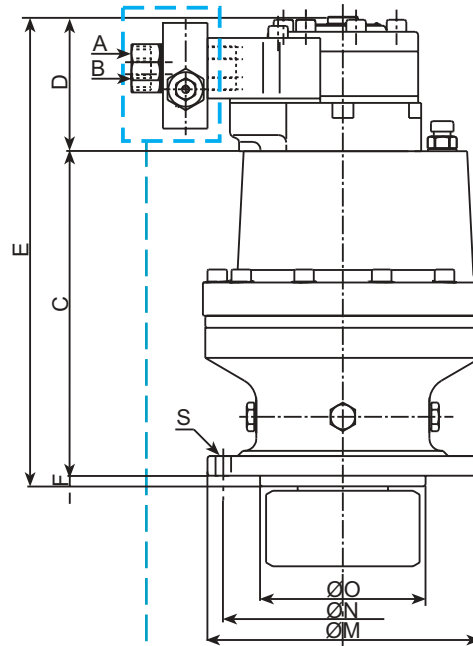
Geared motors for slewing of light duty machines

Stag. n°	Type	Motor type	T2max [Nm]	Max. input speed [n ⁻¹]	Motor displacement [cm ³]	Max. motor pressure [bar]	Ratios 1:
1	SDU20	BRZV	1100	800 ÷ 200	50 ÷ 315	170	6 ÷ 6,93
1	SDU21.1	BRZV	1700	800 ÷ 200	50 ÷ 315	170	5,3
2	SDU31/2	BRZV	3000	800 ÷ 200	50 ÷ 315	170	28

TABLE OF DIMENSIONS

Tipo	E	F	C	D	M	N	O	S	A	B	Config.
SDU20	339	6	216	117	Ø180	Ø165	Ø110f7	Ø9 n° 8 x 45°	1/2"•	1/2"•	3
SDU21.1	354	10	227	117	Ø220	Ø195	Ø150f7	Ø13 n° 10 x 36°	1/2"•	1/2"•	3
SDU31/2	445	10	318	117	Ø220	Ø195	Ø150f7	Ø13 n° 10 x 36°	1/2"•	1/2"•	3

(•) G-type thread



Configuration 3

"VMS" cross relief valve, with shuttle valve for brake opening.

"VBS" double motion control valve with shuttle for brake opening.

"VMBS" double motion control valve, with antishock and shuttle valve for brake opening.

