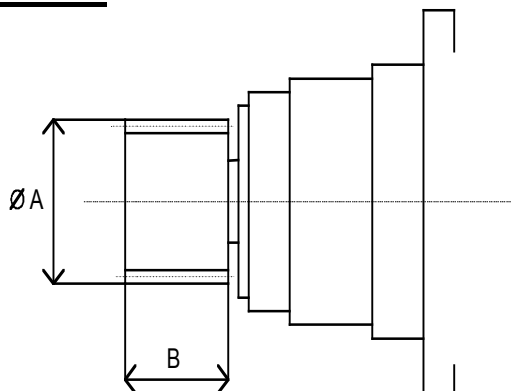


Tipo: pignoni integrali  
Type: integral pinions



**“SDU20”**

| <b>CODICE<br/>CODE</b> | <b>m</b> | <b>z</b> | <b>x</b> | <b>A</b> | <b>B</b> |
|------------------------|----------|----------|----------|----------|----------|
| 33567800000            | 4,5      | 15       | 0,667    | 80,9     | 50       |
| 33566900000            | 5        | 14       | 0        | 79       | 40       |
| 33564500000            | 5        | 14       | 0,5      | 85       | 60       |
| 3356372000K            | 6        | 15       | 0,5      | 108      | 68       |
| 33541931300            | 4        | 15       | 0,873    | 73,4     | 43,5     |

**“SDU21”**

| <b>CODICE<br/>CODE</b> | <b>m</b> | <b>z</b> | <b>x</b> | <b>A</b> | <b>B</b> |
|------------------------|----------|----------|----------|----------|----------|
| 33565900000            | 4.5      | 16       | 0.5      | 84.5     | 55       |
| 3355492000K            | 5        | 16       | 0.5      | 95       | 60       |
| 3355872000K            | 5        | 18       | 0.2      | 102      | 55       |
| 33569000000            | 5        | 18       | 0.2      | 102      | 60       |
| 3356362000K            | 6        | 18       | 0.75     | 128      | 70       |
| 3355242000K            | 6        | 20       | --       | 132      | 60       |
| 33567900000            | 6        | 12       | 0.56     | 90       | 55       |
| 3355772000K            | 6        | 13       | 0.5      | 95       | 55       |
| 3356412000K            | 6        | 18       | 0        | 120      | 70       |
| 3356432000K            | 8        | 14       | 0,5      | 136      | 80       |

**“SDU31”**

| <b>CODICE<br/>CODE</b> | <b>m</b> | <b>z</b> | <b>x</b> | <b>A</b> | <b>B</b> |
|------------------------|----------|----------|----------|----------|----------|
| 3355762000K            | 4.5      | 16       | 0.5      | 84.5     | 55       |
| 33567100000            | 5        | 13       | 0.5      | 80       | 51       |
| 3355802000K            | 5        | 14       | 0.5      | 85       | 46       |
| 33570800000            | 6        | 11       | 0.5      | 83       | 51       |
| 3355202000K            | 6        | 12       | 0.5      | 90       | 60       |
| 3355312000K            | 6        | 12       | 0.5      | 90       | 70       |
| 3356342000K            | 6        | 15       | 0.5      | 108      | 50       |
| 3355252000K            | 6        | 20       | --       | 132      | 80       |
| 3355632000K            | 6.5      | 12       | 0.5      | 96       | 64       |
| 3355862000K            | 8        | 11       | 0.5      | 111      | 80       |
| 3356052000K            | 8        | 11       | 0.5      | 111      | 73       |
| 3356382000K            | 8        | 11       | 0.5      | 110      | 50       |

**“SDU41”**

| <b>CODICE<br/>CODE</b> | <b>m</b> | <b>z</b> | <b>x</b> | <b>A</b> | <b>B</b> |
|------------------------|----------|----------|----------|----------|----------|
| 33528024000            | 6        | 16       | 0,55     | 114,6    | 70       |
| 33531621000            | 8        | 11       | 0,5      | 110,5    | 82       |
| 33542222300            | 8        | 12       | 0,337    | 117,4    | 86       |
| 3355952000K            | 8        | 14       | 0,5      | 136      | 80       |
| 33565000000            | 10       | 12       | 0,55     | 148,6    | 93       |

**“SDU65”**

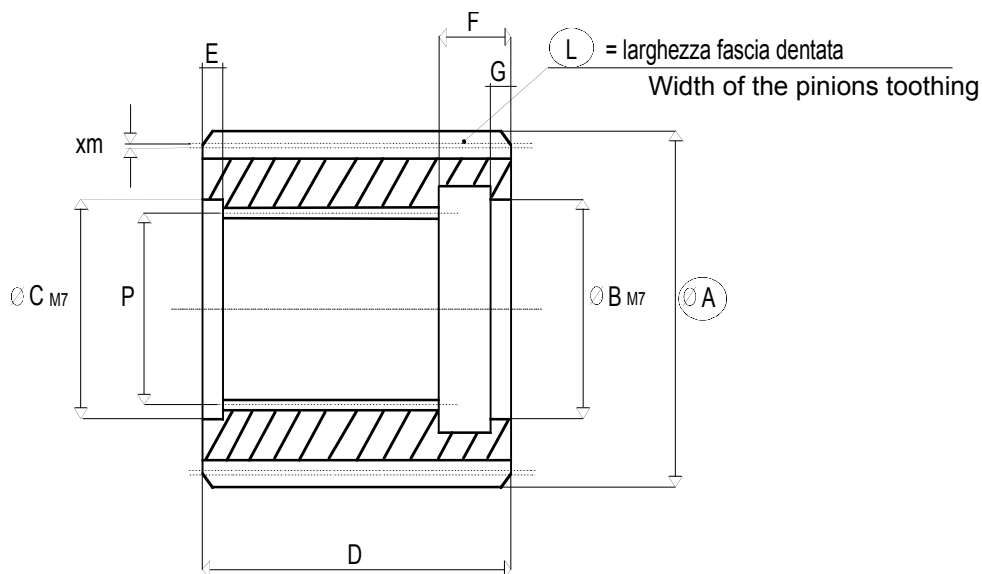
| <b>CODICE<br/>CODE</b> | <b>m</b> | <b>z</b> | <b>x</b> | <b>A</b> | <b>B</b> |
|------------------------|----------|----------|----------|----------|----------|
| 33520021300            | 7,5      | 18       | 0,453    | 156,7    | 85       |
| 3355222000K            | 8        | 14       | 0,5      | 136      | 80       |
| 33566500000            | 10       | 13       | 0,5      | 159      | 85       |
| 3355971000K            | 10       | 15       | 0,7235   | 183      | 70       |
| 33548420000            | 10       | 18       | 0,1      | 200      | 82,5     |
| 3355822000K            | 12       | 13       | 0,5      | 192      | 84       |

## PIGNONI PER RALLA PINIONS FOR SLEW RING

Tipo: pignoni riportati

Type: pinions

|               |               |               |              |                 |              |
|---------------|---------------|---------------|--------------|-----------------|--------------|
| <b>B = 60</b> | <b>C = 60</b> | <b>D = 80</b> | <b>E = 8</b> | <b>F = 23,5</b> | <b>G = 7</b> |
|---------------|---------------|---------------|--------------|-----------------|--------------|



### “SDU41”

| <b>CODICE<br/>CODE</b> | <b>m</b> | <b>z</b> | <b>x</b> | <b>A</b> | <b>L</b> |
|------------------------|----------|----------|----------|----------|----------|
| 3355753000K            | 6        | 14       | 3        | 99,6     | 80       |
| 33506640800            | 6        | 15       | 1        | 104      | 60,5     |
| 33540530600            | 6        | 16       | --       | 108      | 50       |
| 33526430600            | 6        | 24       | 2,892    | 161,8    | 84       |
| 33534730600            | 6        | 24       | 0        | 156      | 80       |
| 33505840800            | 8        | 13       | 0        | 120      | 80       |
| 33516230800            | 8        | 13       | 0,5      | 117,6    | 80       |
| 33537930800            | 8        | 13       | 0        | 120      | 80       |
| 3355562000K            | 8        | 13       | 4        | 127      | 65       |
| 33541530600            | 8        | 14       | 4        | 133      | 90       |
| 33547330000            | 8        | 14       | 0        | 128      | 90       |
| 3355942000K            | 8        | 14       | 4        | 136      | 80       |
| 33503240800            | 8        | 15       | 0        | 136      | 80       |
| 33521330600            | 8        | 15       | 4        | 143      | 80       |
| 3355672000K            | 8        | 15       | 0        | 134      | 80       |
| 33502440800            | 8        | 17       | 0        | 152      | 80       |

## PIGNONI PER RALLA PINIONS FOR SLEW RING

|             |    |    |     |       |     |
|-------------|----|----|-----|-------|-----|
| 33545320000 | 8  | 19 | 4   | 174   | 85  |
| 3356153000K | 10 | 11 | 5   | 136   | 78  |
| 33570200000 | 10 | 11 | 5   | 136   | 78  |
| 33502740800 | 10 | 12 | 3,5 | 143   | 80  |
| 33503440800 | 10 | 13 | 3   | 152   | 80  |
| 3356163000K | 10 | 13 | 2   | 154   | 85  |
| 3355922000K | 10 | 14 | 3,2 | 162,4 | 103 |
| 33504530600 | 10 | 15 | 5   | 180   | 80  |
| 33521230600 | 10 | 17 | 4   | 198   | 80  |
| 33571200000 | 12 | 11 | 6   | 168   | 88  |
| 33500931800 | 15 | 12 | --  | 210   | 70  |

### “SDU65”

| <b>CODICE<br/>CODE</b> | <b>m</b> | <b>z</b> | <b>x</b> | <b>A</b> | <b>L</b> |
|------------------------|----------|----------|----------|----------|----------|
| 33543730300            | 8        | 14       | 4        | 136      | 54       |
| 33504630600            | 8        | 15       | 8        | 136      | 90       |
| 33501230600            | 8        | 17       | 2        | 156      | 54       |
| 33534830600            | 8        | 20       | 0        | 172,8    | 90       |
| 33501330300            | 10       | 11       | 8,06     | 142,1    | 90       |
| 33515930600            | 10       | 11       | 5        | 136      | 80       |
| 33535330600            | 10       | 12       | 5        | 150      | 90       |
| 33520630600            | 10       | 13       | 5        | 160      | 90       |
| 33525930600            | 10       | 13       | 6,15     | 162,3    | 40       |
| 33530330600            | 10       | 13       | 9,5      | 167      | 90       |
| 33549030000            | 10       | 13       | 5        | 160      | 99       |
| 3356082000K            | 10       | 13       | 5        | 160      | 105      |
| 33566200000            | 10       | 13       | 5        | 160      | 90       |
| 3356192000K            | 10       | 14       | 5        | 170      | 101      |
| 33514930600            | 10       | 15       | 0        | 170      | 95       |
| 33545220000            | 10       | 15       | 0        | 170      | 98       |
| 33545420000            | 10       | 17       | 0        | 190      | 96       |
| 33527830600            | 10       | 18       | --       | 198      | 82.5     |
| 33527720600            | 12       | 13       | 6        | 192      | 100      |